


The Timken Company

4500 Mt Pleasant St. NW

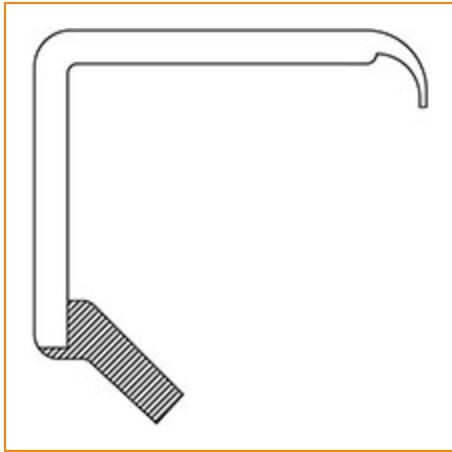
N. Canton, OH 44720

Phone: (234) 262-3000

E-Mail: CustomerCAD@timken.com • **Web site:** www.timken.com

Part Number 710361, Oil Seals Inch

Oil seals are used wherever shafts rotate and bearings require lubrication. Available in inch and metric sizes, the Timken line of O-Ring Seal Kits have the coverage you need for the most popular applications.



[Notes](#) | [Specifications](#) | [Dimensions](#)

Notes

Disclaimer

CAD Models / Sales Drawings are accurate envelope dimensions. Internal features such as lip position may vary from seal to seal and are only representative.

Specifications

Seal Type
[44](#)
Material

Nitrile

Series

710300

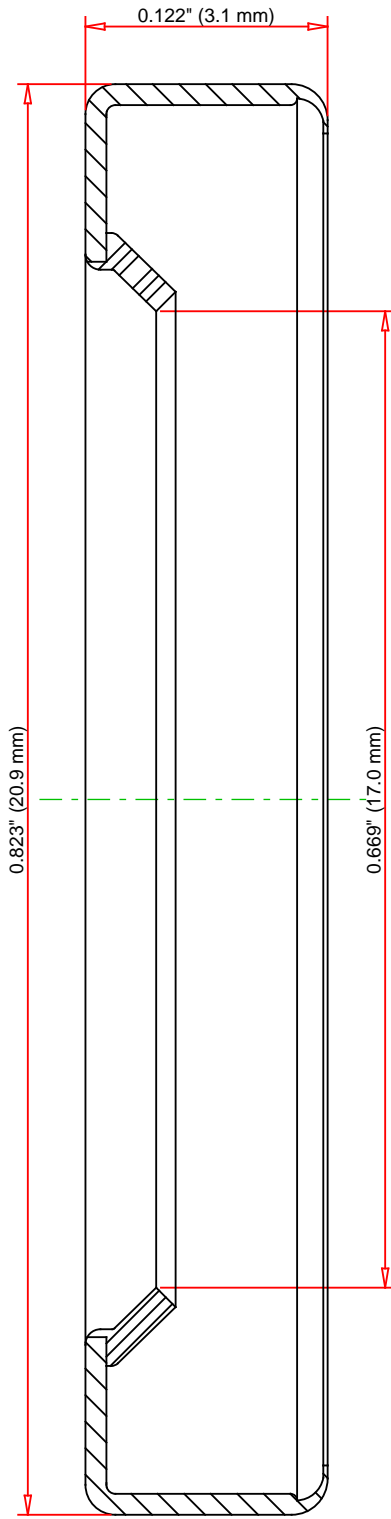
Inch/Metric

Inch



Dimensions

Shaft Size	0.669 in 16.993 mm
Outer Diameter	0.823 in 20.904 mm
Overall Width	0.122 in 3.099 mm
Housing Bore	0.819 in 20.803 mm



DIMENSIONS ACCURATE
DRAWINGS MAY NOT LOOK PROPORTIONAL

IMPERIAL UNITS

TIMKEN®

710361
Oil Seals Inch

THE TIMKEN COMPANY
NORTH CANTON, OHIO USA

Every reasonable effort has been made to ensure the accuracy of the information contained in this writing, but no liability is accepted for errors, omissions or for any other reason.

FOR DISCUSSION ONLY