


**The Timken Company**

4500 Mt Pleasant St. NW

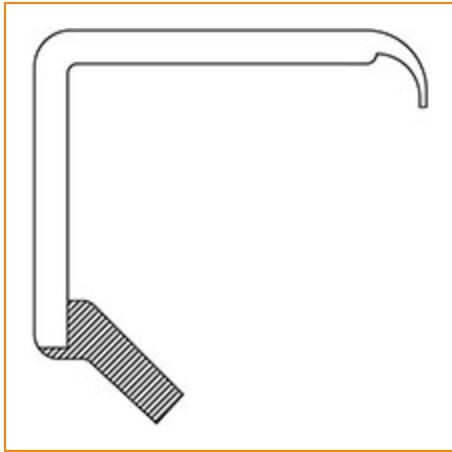
N. Canton, OH 44720

**Phone:** (234) 262-3000

**E-Mail:** [CustomerCAD@timken.com](mailto:CustomerCAD@timken.com) • **Web site:** [www.timken.com](http://www.timken.com)

## Part Number 443018, Oil Seals Inch

Oil seals are used wherever shafts rotate and bearings require lubrication. Available in inch and metric sizes, the Timken line of O-Ring Seal Kits have the coverage you need for the most popular applications.



[Notes](#) | [Specifications](#) | [Dimensions](#)

### Notes

**Disclaimer**

CAD Models / Sales Drawings are accurate envelope dimensions. Internal features such as lip position may vary from seal to seal and are only representative.

### Specifications

**Seal Type**
[44](#)
**Material**

Nitrile

**Series**

440000

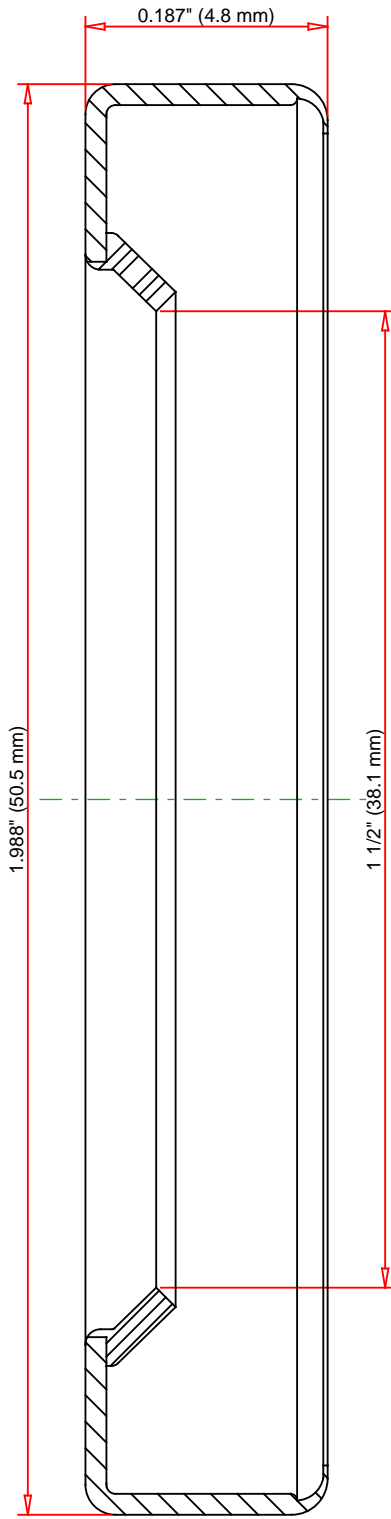
**Inch/Metric**

Inch



### Dimensions

<b>Shaft Size</b>	1-1/2 in 38.1 mm
<b>Outer Diameter</b>	1.988 in 50.495 mm
<b>Overall Width</b>	0.187 in 4.75 mm
<b>Housing Bore</b>	1.983 in 50.368 mm



DIMENSIONS ACCURATE  
DRAWINGS MAY NOT LOOK PROPORTIONAL

IMPERIAL UNITS

**TIMKEN**®

**THE TIMKEN COMPANY**  
NORTH CANTON, OHIO USA

443018  
Oil Seals Inch

Every reasonable effort has been made to ensure the accuracy of the information contained in this writing, but no liability is accepted for errors, omissions or for any other reason.

FOR DISCUSSION ONLY