


The Timken Company

4500 Mt Pleasant St. NW

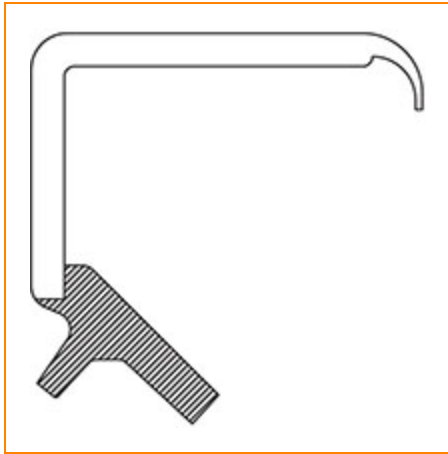
N. Canton, OH 44720

Phone: (234) 262-3000

E-Mail: CustomerCAD@timken.com • **Web site:** www.timken.com

Part Number 710404, Oil Seals Inch

Oil seals are used wherever shafts rotate and bearings require lubrication. Available in inch and metric sizes, the Timken line of O-Ring Seal Kits have the coverage you need for the most popular applications.



[Notes](#) | [Specifications](#) | [Dimensions](#)

Notes

Disclaimer

CAD Models / Sales Drawings are accurate envelope dimensions. Internal features such as lip position may vary from seal to seal and are only representative.

Specifications

Seal Type	49
Material	Nitrile
Series	710400
Inch/Metric	METRIC



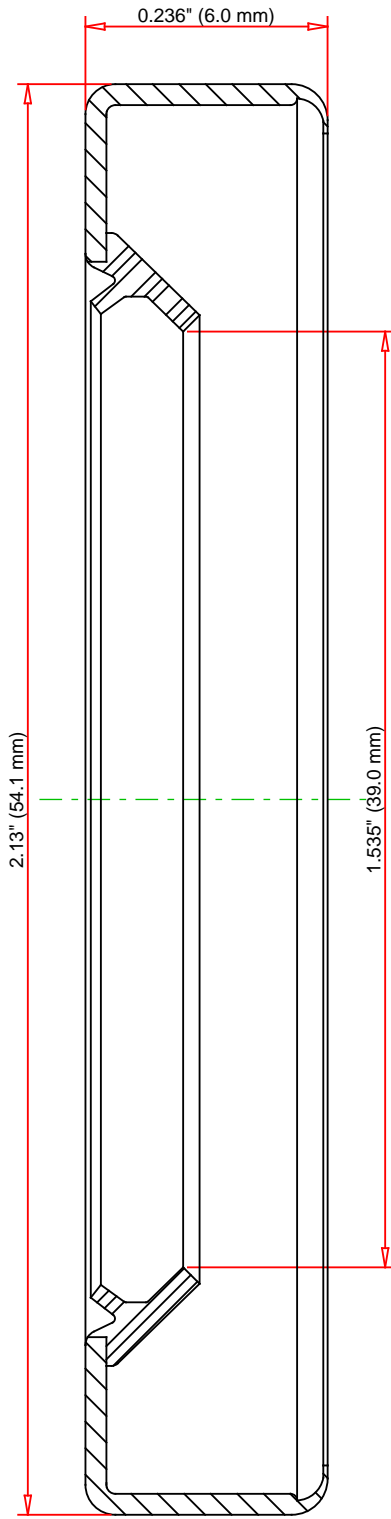
Dimensions

Shaft Size	1.535 in 39 mm
-------------------	-------------------

Outer Diameter	2.13 in 54.1 mm
-----------------------	--------------------

Overall Width	0.236 in 6 mm
----------------------	------------------

Housing Bore	2.126 in 54 mm
---------------------	-------------------



DIMENSIONS ACCURATE
DRAWINGS MAY NOT LOOK PROPORTIONAL

IMPERIAL UNITS

TIMKEN®

THE TIMKEN COMPANY
NORTH CANTON, OHIO USA

710404
Oil Seals Inch

Every reasonable effort has been made to ensure the accuracy of the information contained in this writing, but no liability is accepted for errors, omissions or for any other reason.

FOR DISCUSSION ONLY