


The Timken Company

4500 Mt Pleasant St. NW

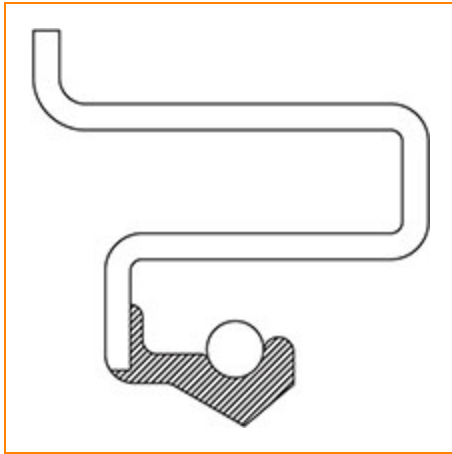
N. Canton, OH 44720

Phone: (234) 262-3000

E-Mail: CustomerCAD@timken.com • **Web site:** www.timken.com

Part Number 6712NA, Oil Seals Inch

Oil seals are used wherever shafts rotate and bearings require lubrication. Available in inch and metric sizes, the Timken line of O-Ring Seal Kits have the coverage you need for the most popular applications.



[Notes](#) | [Specifications](#) | [Dimensions](#)

Notes

Disclaimer

CAD Models / Sales Drawings are accurate envelope dimensions. Internal features such as lip position may vary from seal to seal and are only representative.

Specifications

Seal Type
[75](#)
Material

Polyacrylate

Series

6000

Helix Type

Clockwise-Spiral Lip Design


Medicoat

Yes

Flanged Outside Diameter	3.045 in 77.343 mm
---------------------------------	-----------------------

Inch/Metric	Inch
--------------------	------

Dimensions

Shaft Size	1.875 in 47.625 mm
-------------------	-----------------------

Outer Diameter	2.762 in 70.155 mm
-----------------------	-----------------------

Overall Width	0.425 in 10.795 mm
----------------------	-----------------------

Housing Bore	2.758 in 70.053 mm
---------------------	-----------------------