



The Timken Company

4500 Mt Pleasant St. NW

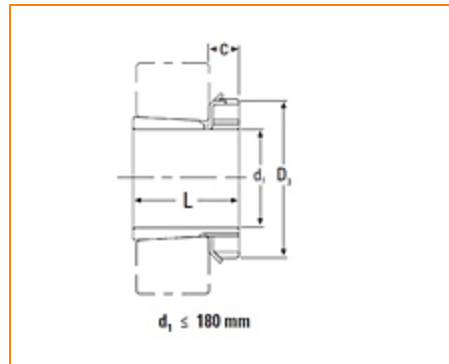
N. Canton, OH 44720

Phone: (234) 262-3000

E-Mail: CustomerCAD@timken.com • **Web site:** www.timken.com

Part Number HA318, Metric HA Adapter Sleeve for Inch Shaft

- Safe and effective tapered bore bearing assembly.
- Includes mounting sleeve, locknut and lockwasher or lockplate.
- Other dimensions may be available, consult your Timken sales representative.

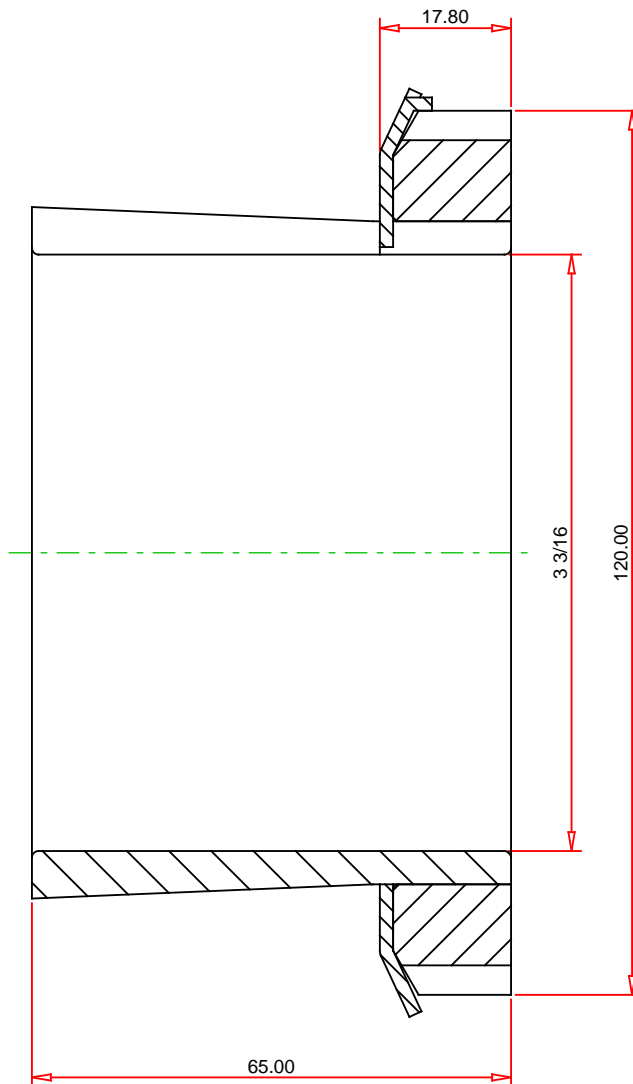


Specifications

d1	3.1875 in 80.96 mm
L¹	65 mm
C	18 mm
Thread G	M90x2
D₃	120 mm
Locknut	KM18
Lockwasher and Lockplates	MB18
Appropriate Hydraulic Nut	HMV 18



¹ Tolerance -0 to + 0.4 mm (-0 to +1/64 in)



METRIC UNITS

TIMKEN®

THE TIMKEN COMPANY
NORTH CANTON, OHIO USA

HA318
Metric HA Adapter Sleeve for Inch Shaft