



The Timken Company

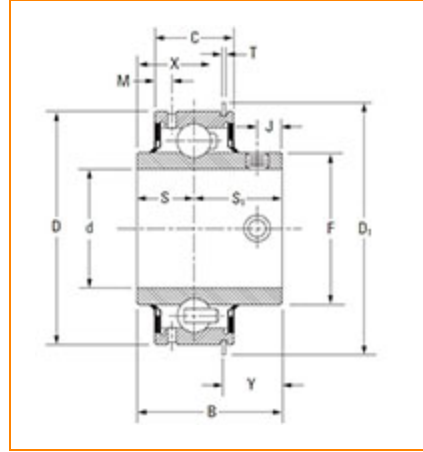
4500 Mt Pleasant St. NW

N. Canton, OH 44720

Phone: (234) 262-3000

E-Mail: CustomerCAD@timken.com • **Web site:** www.timken.com

Part Number ER16, Fafnir® Wide Inner Ring Setscrew Locking Ball Bearings



[Specifications](#) | [Dimensions](#) | [Basic Load Ratings](#)

Specifications

Series	Industrial
Shaft Size d	1 in
Bore Type	Cylindrical bore
Bearing Type	Ball Bearing
Material	Bearing Steel
Lubrication Type	Relubricatable
O.D. Type	Cylindrical OD
Sub Series	ER
Seal Type	Narrow Shroud
Basic Outer Ring Size	205

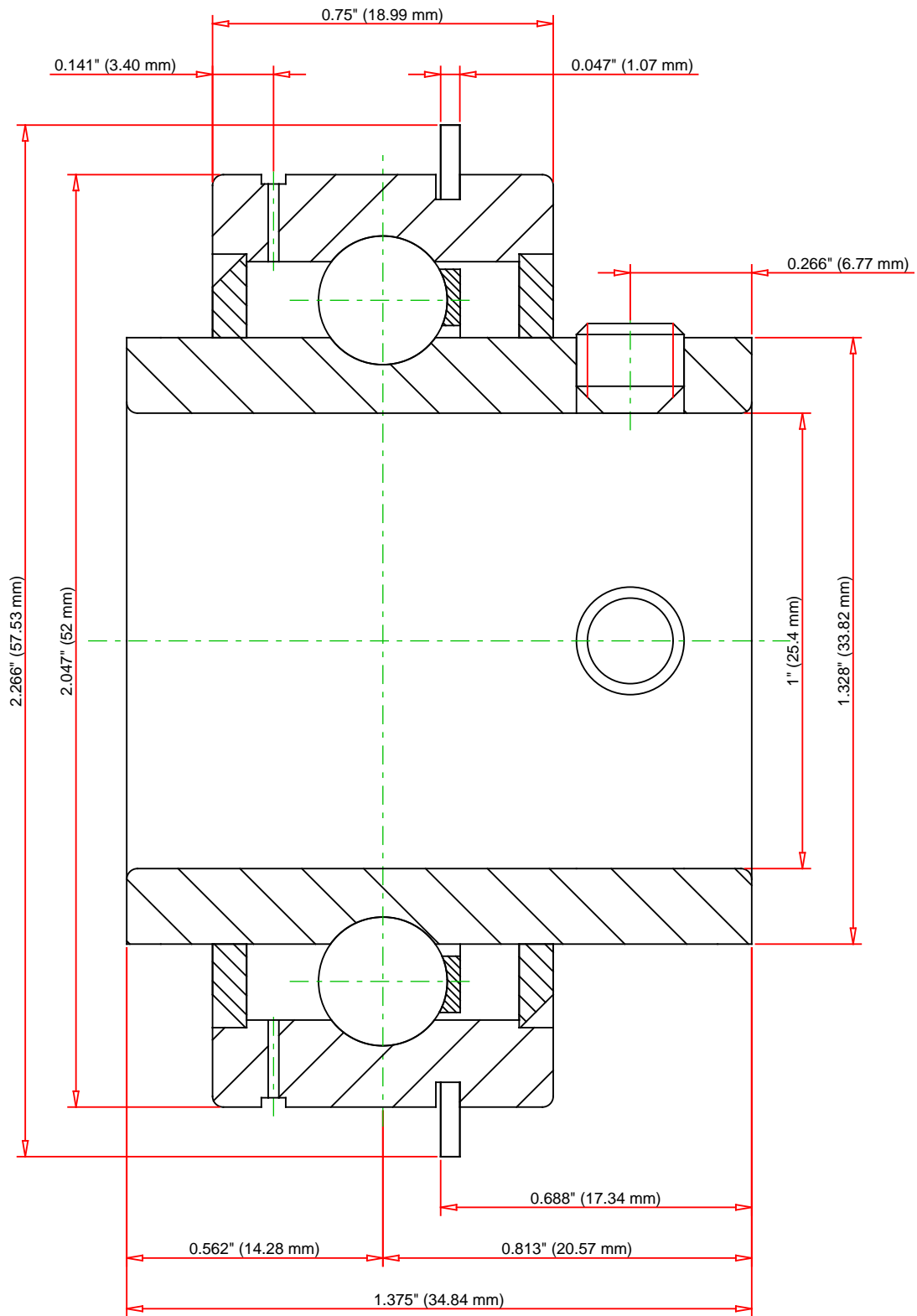


Dimensions

Outside Diameter D	2.047 in 52 mm
Inner Ring Width B	1.375 in 34.84 mm
Outside Ring Width C	0.75 in 18.99 mm
Radius r	0.024 in 0.6 mm
Center of Bearing from End S	0.562 in 14.28 mm
Dimension S1	0.813 in 20.57 mm
Dimension F	1.328 in 33.82 mm
Dimension J	0.266 in 6.77 mm
Dimension M	0.141 in 3.40 mm
Dimension D1	2.266 in 57.53 mm
Dimension T	0.047 in 1.07 mm
Dimension X	0.688 in 17.5 mm
Dimension Y	0.688 in 17.34 mm
Set Screw Size	M6x1
Number of Set Screws	2
Angle between Set Screws	90 °

Basic Load Ratings

Static Load Rating	1760 lbf 7814.4 N
Dynamic Load Rating	3490 lbf 15495.6 N



Weight	0.4 lb	0.181 kg
--------	--------	----------

TIMKEN®

THE TIMKEN COMPANY
NORTH CANTON, OHIO USA

ER16
Fafnir® Wide Inner Ring Setscrew Locking Ball Bearings

Basic Load Ratings - C _r	3490 lbf	15495.6 N
Load Ratings - C _{0r}	1760 lbf	7814.4 N

Every reasonable effort has been made to ensure the accuracy of the information contained in this writing, but no liability is accepted for errors, omissions or for any other reason.

FOR DISCUSSION ONLY