


The Timken Company

4500 Mt Pleasant St. NW

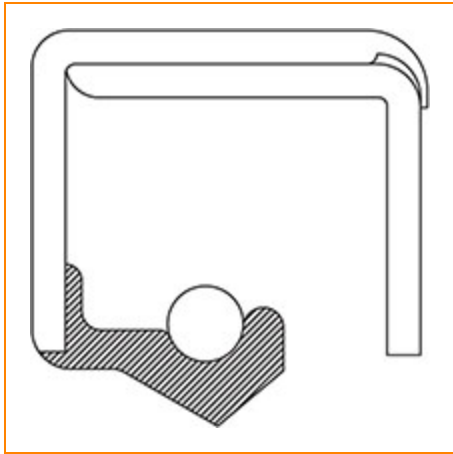
N. Canton, OH 44720

Phone: (234) 262-3000

E-Mail: CustomerCAD@timken.com • **Web site:** www.timken.com

Part Number 450095, Oil Seals Inch

Oil seals are used wherever shafts rotate and bearings require lubrication. Available in inch and metric sizes, the Timken line of O-Ring Seal Kits have the coverage you need for the most popular applications.



[Notes](#) | [Specifications](#) | [Dimensions](#)

Notes

Disclaimer

CAD Models / Sales Drawings are accurate envelope dimensions. Internal features such as lip position may vary from seal to seal and are only representative.

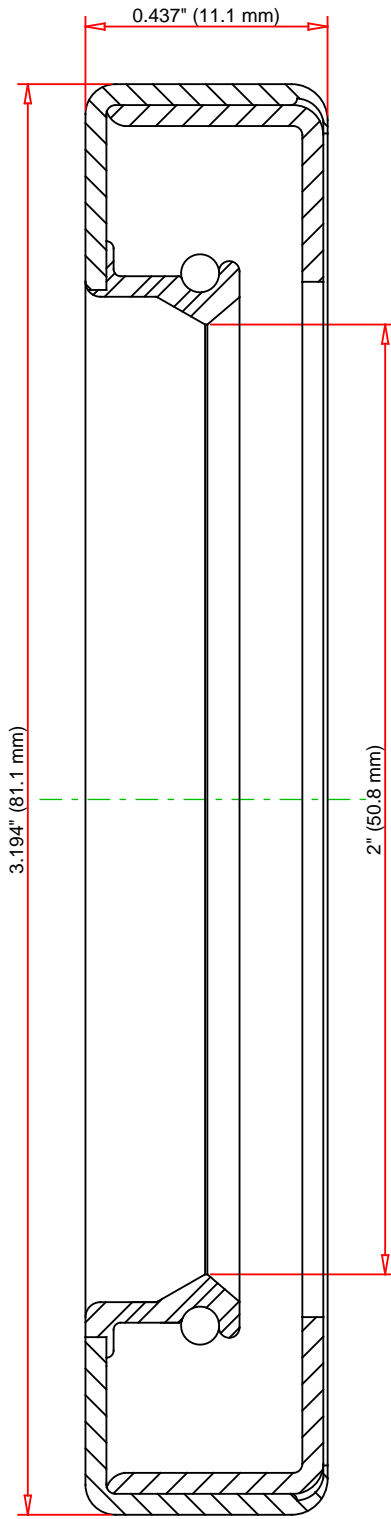
Specifications

Seal Type	45
Material	Nitrile
Series	450000
Inch/Metric	Inch



Dimensions

Shaft Size	2 in 50.8 mm
Outer Diameter	3.194 in 81.128 mm
Overall Width	0.437 in 11.1 mm
Housing Bore	3.189 in 81.001 mm



DIMENSIONS ACCURATE
DRAWINGS MAY NOT LOOK PROPORTIONAL

IMPERIAL UNITS

TIMKEN®

450095
Oil Seals Inch

THE TIMKEN COMPANY
NORTH CANTON, OHIO USA

Every reasonable effort has been made to ensure the accuracy of the information contained in this writing, but no liability is accepted for errors, omissions or for any other reason.

FOR DISCUSSION ONLY