


The Timken Company

4500 Mt Pleasant St. NW

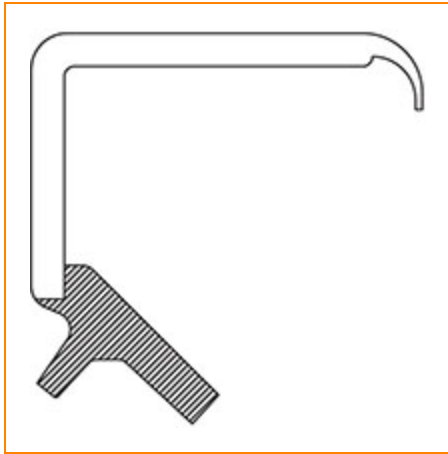
N. Canton, OH 44720

Phone: (234) 262-3000

E-Mail: CustomerCAD@timken.com • **Web site:** www.timken.com

Part Number 493291, Oil Seals Inch

Oil seals are used wherever shafts rotate and bearings require lubrication. Available in inch and metric sizes, the Timken line of O-Ring Seal Kits have the coverage you need for the most popular applications.



[Notes](#) | [Specifications](#) | [Dimensions](#)

Notes

Disclaimer

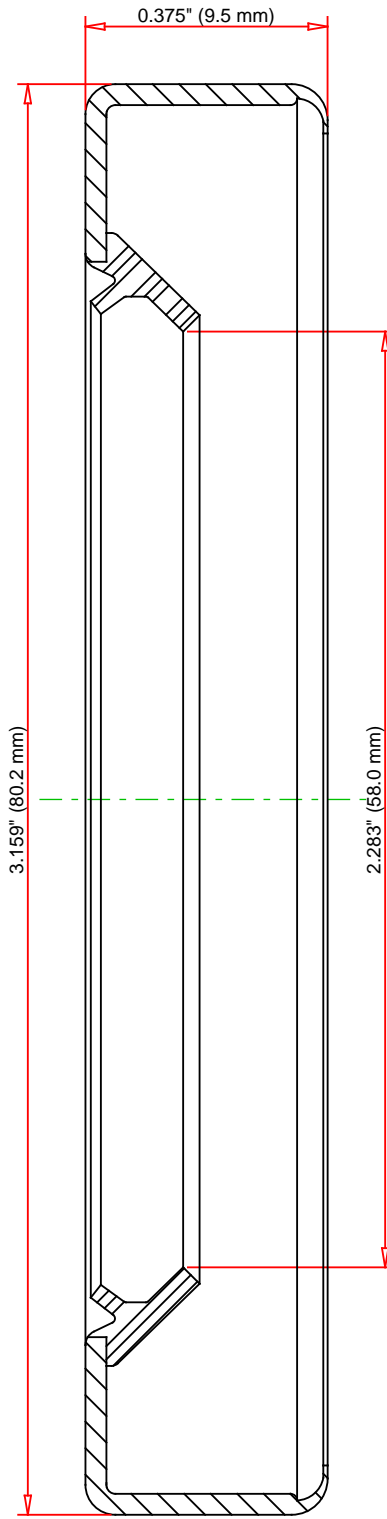
CAD Models / Sales Drawings are accurate envelope dimensions. Internal features such as lip position may vary from seal to seal and are only representative.

Specifications

Seal Type	49
Material	Nitrile
Series	490000
Redicoat	Yes
 Inch/Metric	Inch

Dimensions

Shaft Size	2.283 in 57.988 mm
Outer Diameter	3.159 in 80.239 mm
Overall Width	0.375 in 9.525 mm
Housing Bore	3.155 in 80.137 mm



DIMENSIONS ACCURATE
DRAWINGS MAY NOT LOOK PROPORTIONAL

IMPERIAL UNITS

TIMKEN®

493291
Oil Seals Inch

THE TIMKEN COMPANY
NORTH CANTON, OHIO USA

Every reasonable effort has been made to ensure the accuracy of the information contained in this writing, but no liability is accepted for errors, omissions or for any other reason.

FOR DISCUSSION ONLY