


The Timken Company

4500 Mt Pleasant St. NW

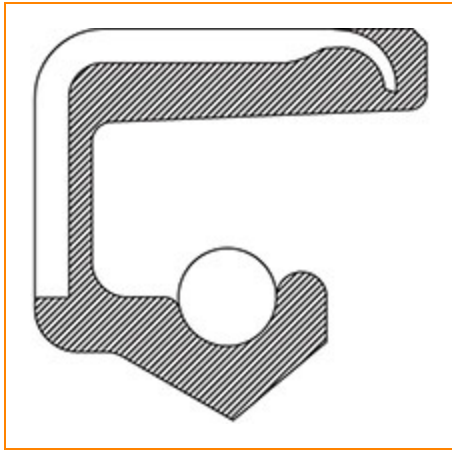
N. Canton, OH 44720

Phone: (234) 262-3000

E-Mail: CustomerCAD@timken.com • **Web site:** www.timken.com

Part Number 330749V, Oil Seals Inch

Oil seals are used wherever shafts rotate and bearings require lubrication. Available in inch and metric sizes, the Timken line of O-Ring Seal Kits have the coverage you need for the most popular applications.



[Notes](#) | [Specifications](#) | [Dimensions](#)

Notes

Disclaimer

CAD Models / Sales Drawings are accurate envelope dimensions. Internal features such as lip position may vary from seal to seal and are only representative.

Specifications

Seal Type
[33](#)
Material

Fluoro-Elastomer

Series

330000

Inch/Metric

Inch



Dimensions

Shaft Size	1.562 in 39.675 mm
Outer Diameter	2.066 in 52.476 mm
Overall Width	0.25 in 6.35 mm
Housing Bore	2.062 in 52.375 mm