


**The Timken Company**

4500 Mt Pleasant St. NW

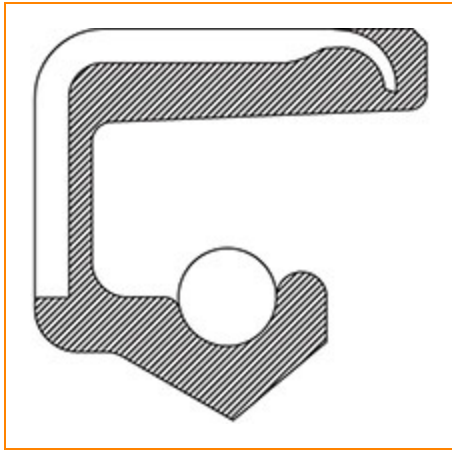
N. Canton, OH 44720

**Phone:** (234) 262-3000

**E-Mail:** [CustomerCAD@timken.com](mailto:CustomerCAD@timken.com) • **Web site:** [www.timken.com](http://www.timken.com)

## Part Number 330699, Oil Seals Inch

Oil seals are used wherever shafts rotate and bearings require lubrication. Available in inch and metric sizes, the Timken line of O-Ring Seal Kits have the coverage you need for the most popular applications.



[Notes](#) | [Specifications](#) | [Dimensions](#)

### Notes

**Disclaimer**

CAD Models / Sales Drawings are accurate envelope dimensions. Internal features such as lip position may vary from seal to seal and are only representative.

### Specifications

**Seal Type**
[33](#)
**Material**

Nitrile

**Series**

330000

**Inch/Metric**

Inch



### Dimensions

|                       |                       |
|-----------------------|-----------------------|
| <b>Shaft Size</b>     | 0.5 in<br>12.7 mm     |
| <b>Outer Diameter</b> | 0.879 in<br>22.327 mm |
| <b>Overall Width</b>  | 0.187 in<br>4.75 mm   |
| <b>Housing Bore</b>   | 0.875 in<br>22.225 mm |