


**The Timken Company**

4500 Mt Pleasant St. NW

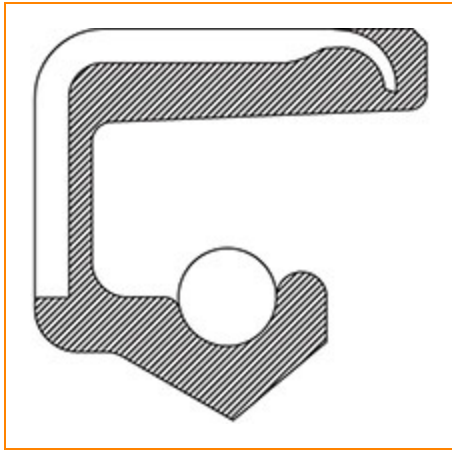
N. Canton, OH 44720

**Phone:** (234) 262-3000

**E-Mail:** [CustomerCAD@timken.com](mailto:CustomerCAD@timken.com) • **Web site:** [www.timken.com](http://www.timken.com)

## Part Number 2791, Oil Seals Inch

Oil seals are used wherever shafts rotate and bearings require lubrication. Available in inch and metric sizes, the Timken line of O-Ring Seal Kits have the coverage you need for the most popular applications.



[Notes](#) | [Specifications](#) | [Dimensions](#)

### Notes

**Disclaimer**

CAD Models / Sales Drawings are accurate envelope dimensions. Internal features such as lip position may vary from seal to seal and are only representative.

### Specifications

**Seal Type**
[33](#)
**Material**

Nitrile

**Series**

2000

**Redicoat**

Yes


**Inch/Metric**

Inch

## Dimensions

<b>Shaft Size</b>	9 in 228.6 mm
<b>Outer Diameter</b>	10.384 in 263.754 mm
<b>Overall Width</b>	0.625 in 15.875 mm
<b>Housing Bore</b>	10.376 in 263.55 mm