



The Timken Company

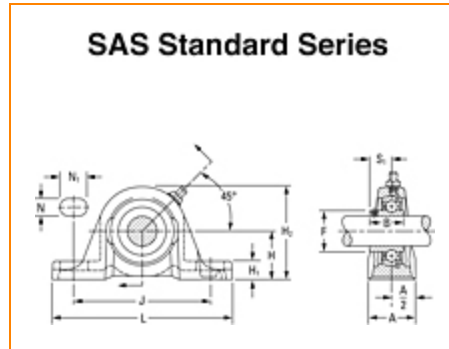
4500 Mt Pleasant St. NW

N. Canton, OH 44720

Phone: (234) 262-3000

E-Mail: CustomerCAD@timken.com • **Web site:** www.timken.com

Part Number SAS1, Fafnir® Pillow Block Mounted Bearings Setscrew Locking



[Specifications](#) | [Dimensions](#) | [Basic Load Ratings](#)

Specifications

Series	Standard
Shaft Size d	1 in
Bearing Type	Ball Bearing
Bearing Number	GYA100RRB
Seal Type	Narrow Shroud
Housing Construction	Two-Bolt Pillow Block
Alternate Part Name	SAS1

Dimensions

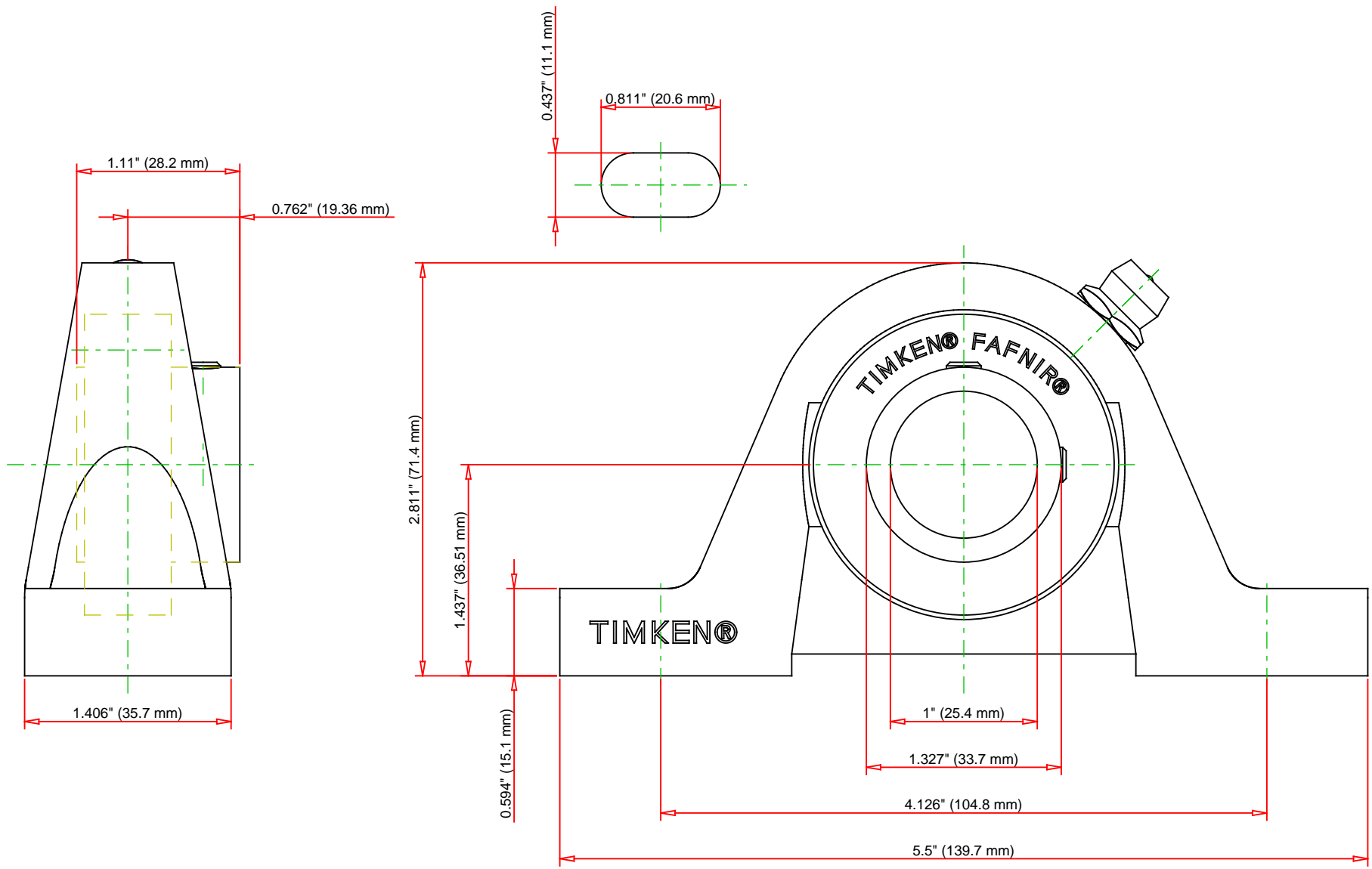
Base to Center Height H	36.51 mm 1.437 in
Total Length L	139.7 mm 5.5 in



Total Width A	35.7 mm 1.406 in
Bolt Hole Spacing J	104.8 mm 4.126 in
Bolt Hole Width N	11.1 mm 0.437 in
Bolt Hole Length N1	20.6 mm 0.811 in
Foot Height H1	15.1 mm
Total Height H2	71.4 mm 2.811 in
Inside Ring Width B	28.2 mm 1.11 in
Dimension S1	19.36 mm 0.762 in
Dimension F	33.7 mm 1.327 in

Basic Load Ratings

Static Load Rating	7800 N 1750 lbf
Dynamic Load Rating	15500 N 3490 lbf



Bearing Number	GYA100RRB			
Load Ratings - C _r	3490	lbf	15500	N
Load Ratings - C _{0r}	1750	lbf	7800	N
Weight	1.653	lb	0.75	kg
Bolt Size	M6x1			

TIMKEN
 THE TIMKEN COMPANY
 NORTH CANTON, OHIO USA

SAS1
 Fafnir® Pillow Block Mounted Bearings Setscrew Locking

Every reasonable effort has been made to ensure the accuracy of the information contained in this writing, but no liability is accepted for errors, omissions or for any other reason.

FOR DISCUSSION ONLY