


The Timken Company

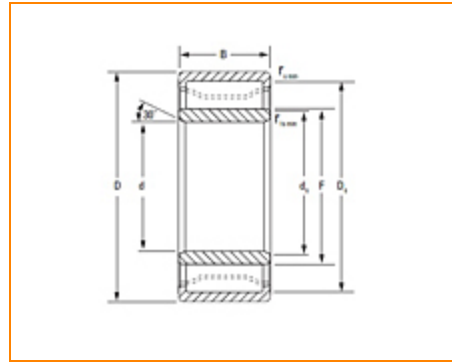
4500 Mt Pleasant St. NW

N. Canton, OH 44720

Phone: (234) 262-3000

E-Mail: CustomerCAD@timken.com • **Web site:** www.timken.com
Part Number A-5224-WS R6, Cylindrical Roller Radial Bearings - 5200, A5200 Metric Series

The radial internal clearance (RIC) for the bearing assembly must be included when ordering either a) the complete assembly or b) with the inner-ring set.



[Specifications](#) | [Bearing Dimensions](#) | [Mounting Data](#)

Specifications

Bore d	120 mm
Static Load Rating C_0	952000 N 214000 lbf
Dynamic Load Rating $C_1$¹	707000 N 159000 lbf
Dimension S^2	4.29 mm 0.169 in
Geometry Factor C_g³	0.1550
Thermal Speed Ratings - Oil	2200 rpm
Thermal Speed Ratings - Grease	1900 rpm



Bearing Dimensions

O.D. D	215 mm 8.4646 in
Width B	76.2 mm 3.0000 in
DUR/DOR F/E	145.265 mm 5.7191 in
Type	WS

Mounting Data

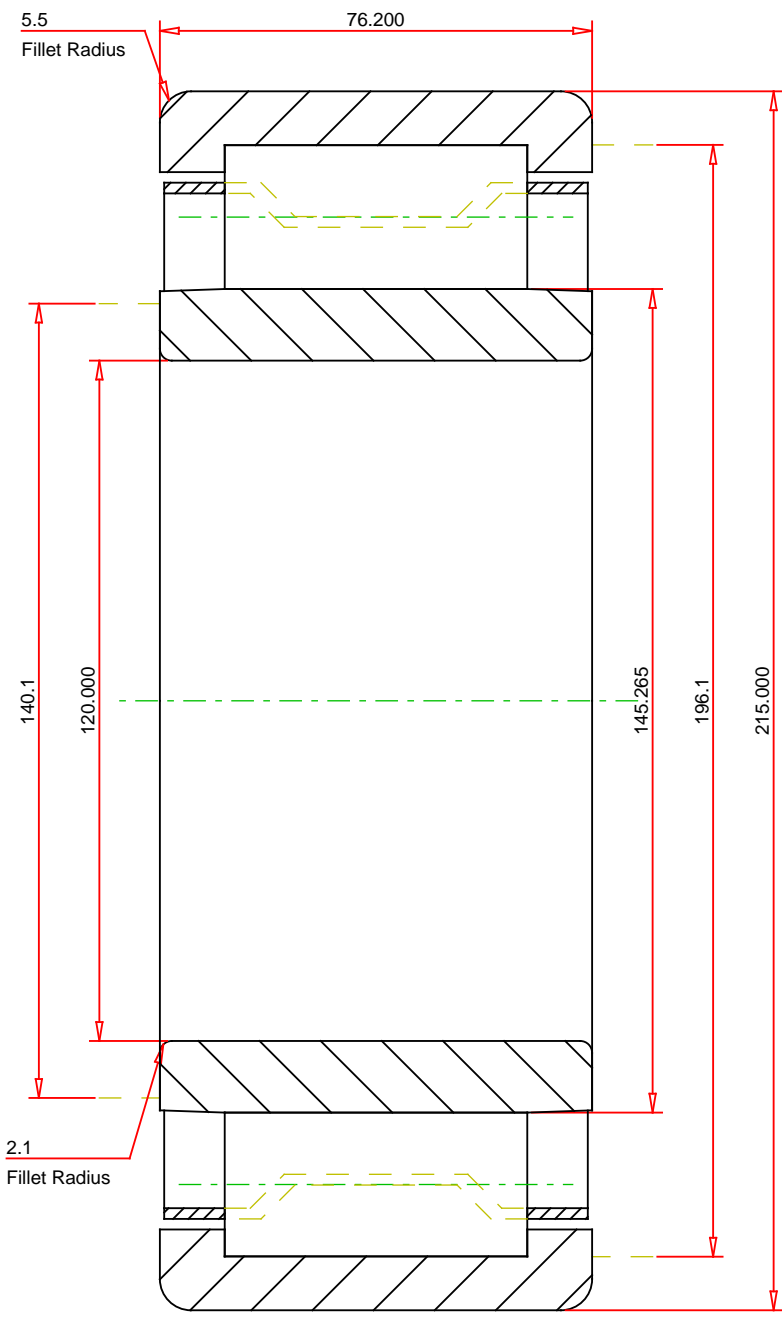
Chamfer r_{smin}	5.50 mm 0.22 in
Chamfer r_{1smin}^4	2.1 mm 0.080 in
Backing Shaft Diameter d_s	140.1 mm 5.5200 in
Backing Housing Diameter D_s	196.1 mm 7.7200 in

¹ Based on 1×10^6 revolutions L_{10} life, for the ISO life calculation method.

² Permissible axial displacement from normal position of one bearing ring in relation to the other.

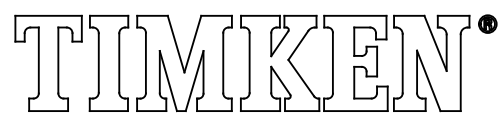
³ C_g factor for bearing without inner ring.

⁴ Based on 1×10^6 revolutions L_{10} life, for the ISO life calculation method.



METRIC UNITS

Bearing Weight 11.5 kg



THE TIMKEN COMPANY
NORTH CANTON, OHIO USA

A-5224-WS R6
CYLINDRICAL ROLLER BEARING

Dynamic Load Rating 707000 N
Static Load Rating 952000 N

Every reasonable effort has been made to ensure the accuracy of the information contained in this writing, but no liability is accepted for errors, omissions or for any other reason.

FOR DISCUSSION ONLY