



**The Timken Company**

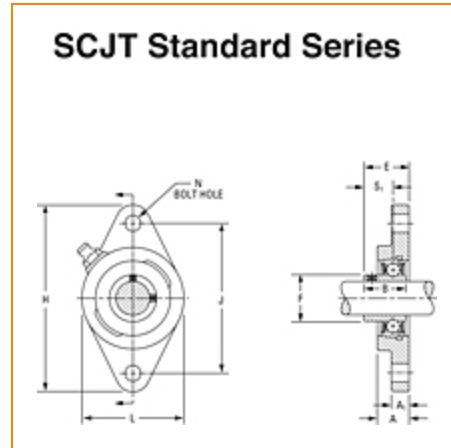
4500 Mt Pleasant St. NW

N. Canton, OH 44720

**Phone:** (234) 262-3000

**E-Mail:** [CustomerCAD@timken.com](mailto:CustomerCAD@timken.com) • **Web site:** [www.timken.com](http://www.timken.com)

## Part Number SCJT1 1/4, Fafnir® Two-Bolt Flanged Mounted Bearings Setscrew Locking




[Specifications](#) | [Dimensions](#) | [Basic Load Ratings](#)

### Specifications

<b>Series</b>	Standard
<b>Shaft Size d</b>	1 1/4 in
<b>Bearing Type</b>	Ball Bearing
<b>Bearing Number</b>	GYA104RRB
<b>Seal Type</b>	Narrow Shroud
<b>Housing Construction</b>	Two-Bolt Flange
<b>Alternate Part Name</b>	SCJT1 1/4

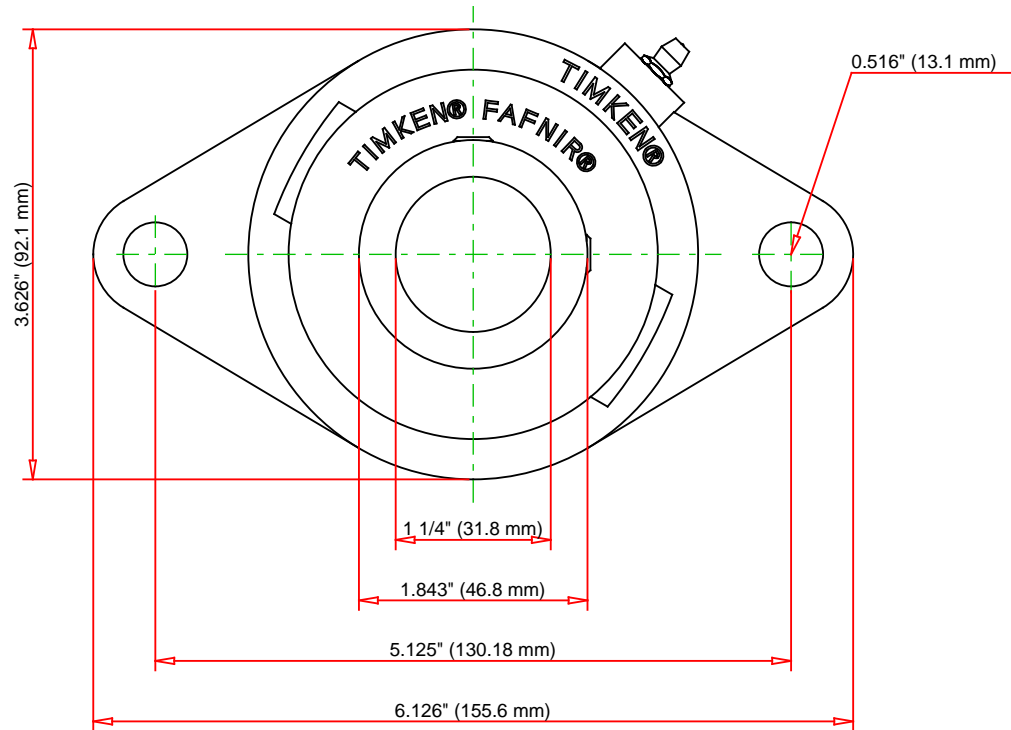
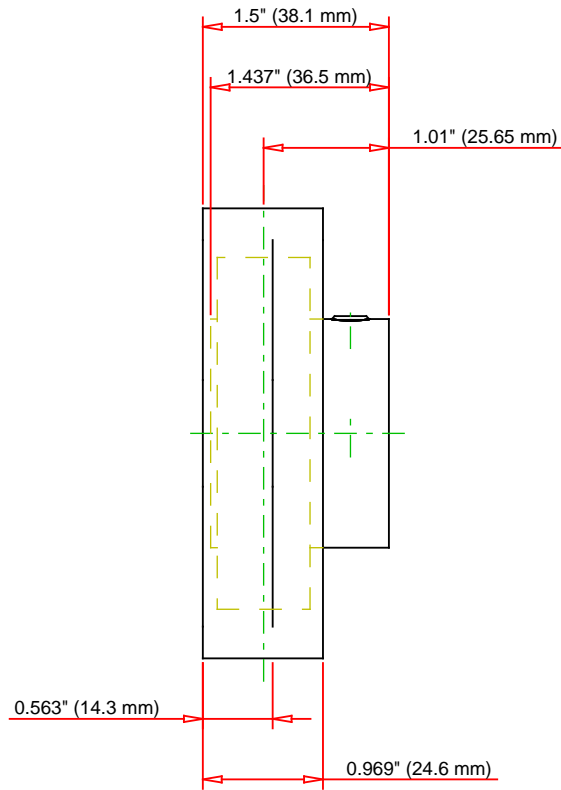
### Dimensions

 <b>Total Length H</b>	155.6 mm 6.126 in
--	----------------------

<b>Total Height L</b>	92.1 mm 3.626 in
<b>Housing Width A</b>	24.6 mm 0.969 in
<b>Bolt Hole Spacing J</b>	130.18 mm 5.125 in
<b>Bolt Hole Size N</b>	13.1 mm 0.516 in
<b>Flange Thickness A1</b>	14.3 mm 0.563 in
<b>Inside Ring Width B</b>	36.5 mm 1.4370 in
<b>Dimension S1</b>	25.65 mm 1.01 in
<b>Dimension E</b>	38.1 mm 1.5 in
<b>Dimension F</b>	46.8 mm 1.8430 in

## Basic Load Ratings

<b>Static Load Rating</b>	15300 N 3440 lbf
<b>Dynamic Load Rating</b>	28500 N 6400 lbf



Bearing Number	GYA104RRB			
Load Ratings - C <sub>r</sub>	6400	lbf	28500	N
Load Ratings - C <sub>0r</sub>	3440	lbf	15300	N
Weight	2.381	lb	1.08	kg
Bolt Size	M8x1.25			

**TIMKEN**

THE TIMKEN COMPANY  
NORTH CANTON, OHIO USA

**SCJT1 1/4**  
Fafnir® Two-Bolt Flanged Mounted Bearings  
Setscrew Locking

Every reasonable effort has been made to ensure the accuracy of the information contained in this writing, but no liability is accepted for errors, omissions or for any other reason.

**FOR DISCUSSION ONLY**