



The Timken Company

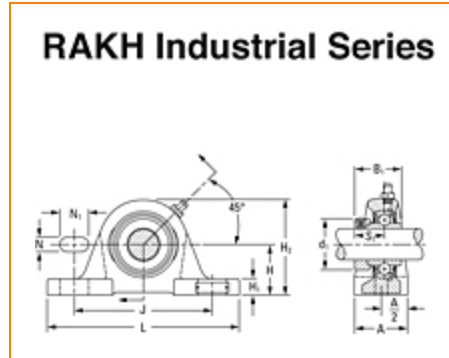
4500 Mt Pleasant St. NW

N. Canton, OH 44720

Phone: (234) 262-3000

E-Mail: CustomerCAD@timken.com • **Web site:** www.timken.com

Part Number RAKH1 15/16, Fafnir® Pillow Block Mounted Bearings Eccentric Locking Collar



[Specifications](#) | [Dimensions](#) | [Basic Load Ratings](#)

Specifications

Series	Industrial
Shaft Size d	1 15/16 in
Bearing Type	Ball Bearing
Bearing Number	G1115KRRB
Seal Type	Shroud Seal
Housing Construction	Two-Bolt Pillow Block
Alternate Part Name	RAKH1 15/16

Dimensions



Base to Center Height H 63.5 mm
2-1/2 in

Total Length L 241.3 mm
9-1/2 in

Total Width A 73 mm
2.874 in

Bolt Hole Spacing J 171.4 mm
6.748 in

Bolt Hole Width N 17.5 mm
0.689 in

Bolt Hole Length N1 36.5 mm
1.437 in

Foot Height H1 22.2 mm

Total Height H2 122.2 mm
4.811 in

Dimension d1 69.9 mm
2.752 in

Dimension B1 62.7 mm
2.469 in

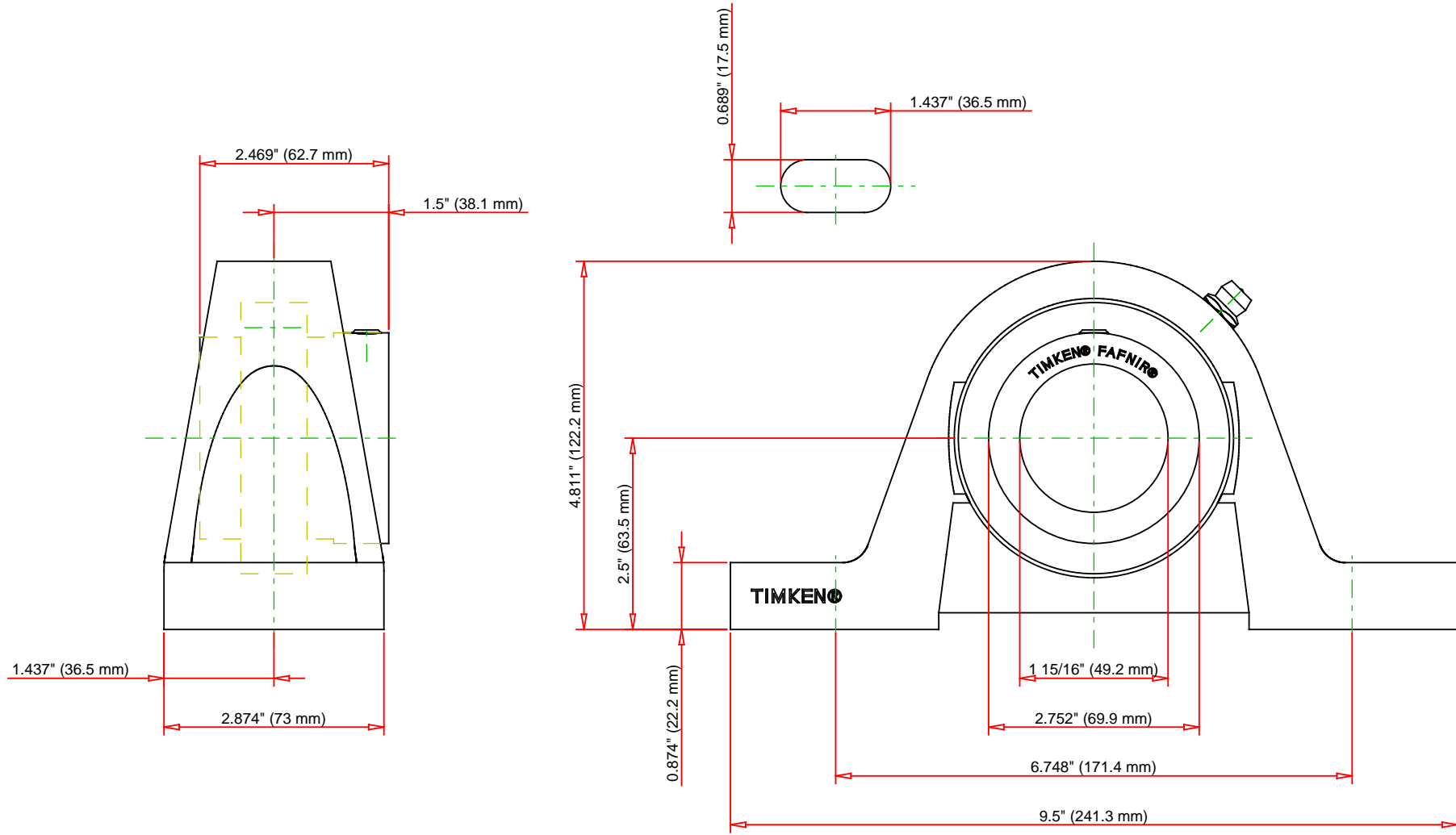
Dimension S1 38.1 mm
1.5 in

Dimension T 36.5 mm
1.437 in

Basic Load Ratings

Static Load Rating 23200 N
5210 lbf

Dynamic Load Rating 38900 N
8740 lbf



Bearing Number	G1115KRRB			
Load Ratings - C _r	8740	lbf	38900	N
Load Ratings - C _{0r}	5210	lbf	23200	N
Weight	11.239	lb	5.098	kg

TIMKEN
 THE TIMKEN COMPANY
 NORTH CANTON, OHIO USA

RAKH1 15/16
 Fafnir® Pillow Block Mounted Bearings Eccentric
 Locking Collar

Every reasonable effort has been made to ensure the accuracy of the information contained in this writing, but no liability is accepted for errors, omissions or for any other reason.

FOR DISCUSSION ONLY