



**The Timken Company**

4500 Mt Pleasant St. NW

N. Canton, OH 44720

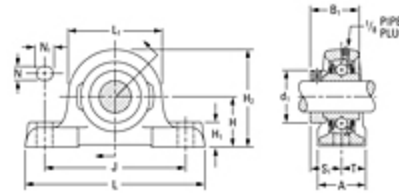
**Phone:** (234) 262-3000

**E-Mail:** [CustomerCAD@timken.com](mailto:CustomerCAD@timken.com) • **Web site:** [www.timken.com](http://www.timken.com)

## Part Number RAO2 11/16, Fafnir® Pillow Block Mounted Bearings Eccentric Locking Collar



### RAO, LAO Heavy Series



[Specifications](#) | [Dimensions](#) | [Basic Load Ratings](#)

#### Specifications

|                             |                       |
|-----------------------------|-----------------------|
| <b>Series</b>               | Medium-Duty           |
| <b>Shaft Size d</b>         | 2 11/16 in            |
| <b>Bearing Type</b>         | Ball Bearing          |
| <b>Bearing Number</b>       | GN211KRRB             |
| <b>Seal Type</b>            | Shroud Seal           |
| <b>Housing Construction</b> | Two-Bolt Pillow Block |
| <b>Alternate Part Name</b>  | RAO2 11/16            |

#### Dimensions

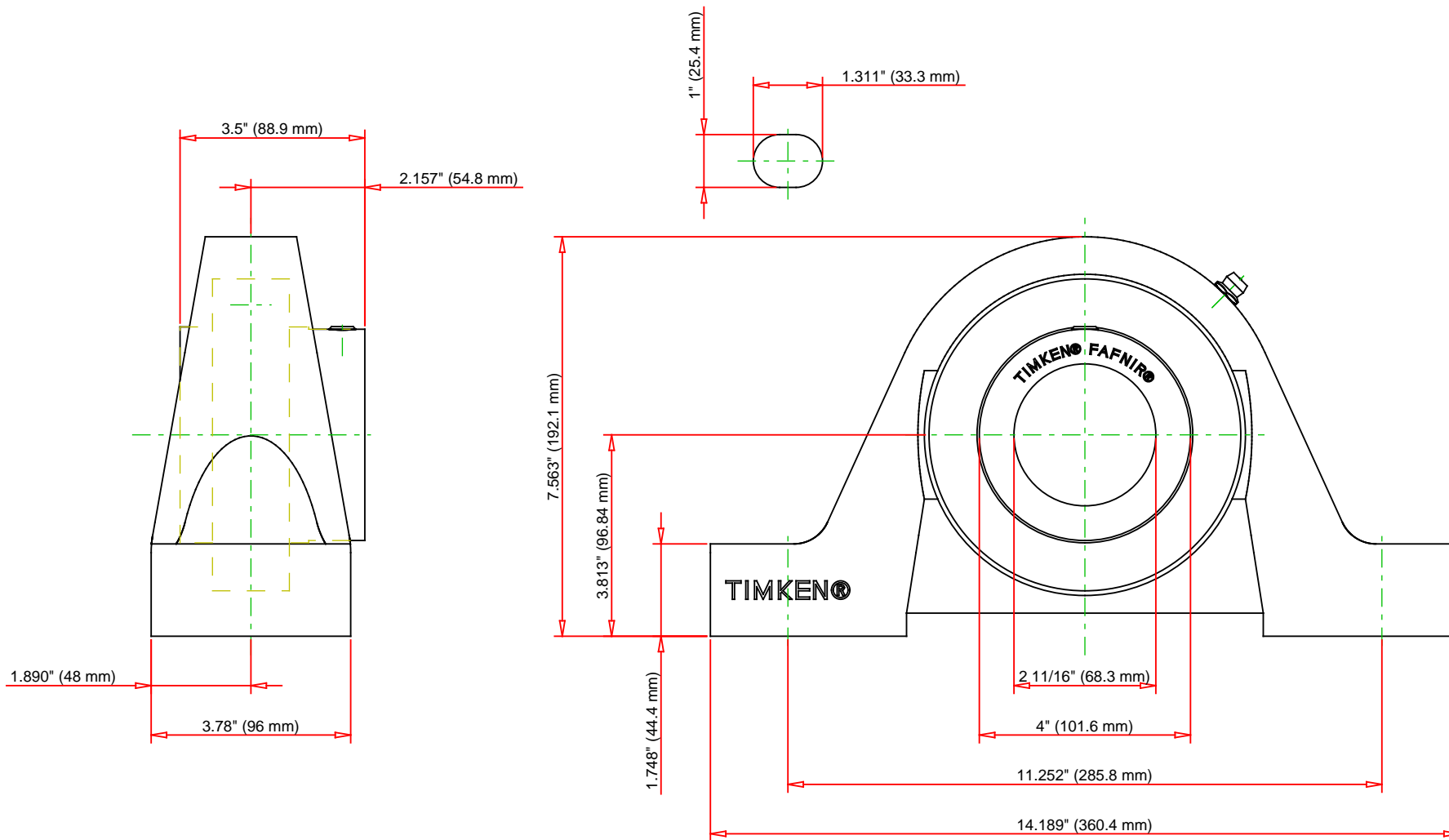
|                                |                       |
|--------------------------------|-----------------------|
| <b>Base to Center Height H</b> | 96.84 mm<br>3.813 in  |
| <b>Total Length L</b>          | 360.4 mm<br>14.189 in |



|                            |                       |
|----------------------------|-----------------------|
| <b>Total Width A</b>       | 96 mm<br>3.780 in     |
| <b>Bolt Hole Spacing J</b> | 285.8 mm<br>11.252 in |
| <b>Bolt Hole Width N</b>   | 25.4 mm<br>1 in       |
| <b>Bolt Hole Length N1</b> | 33.3 mm<br>1.311 in   |
| <b>Foot Height H1</b>      | 44.4 mm               |
| <b>Total Height H2</b>     | 192.1 mm<br>7.563 in  |
| <b>Dimension d1</b>        | 101.6 mm<br>4 in      |
| <b>Dimension B1</b>        | 88.9 mm<br>3-1/2 in   |
| <b>Dimension S1</b>        | 54.8 mm<br>2.157 in   |
| <b>Dimension T</b>         | 48 mm<br>1.890 in     |

## Basic Load Ratings

|                            |                       |
|----------------------------|-----------------------|
| <b>Static Load Rating</b>  | 68000 N<br>15300 lbf  |
| <b>Dynamic Load Rating</b> | 115500 N<br>26000 lbf |



|                         |           |     |        |    |
|-------------------------|-----------|-----|--------|----|
| Bearing Number          | GN211KRRB |     |        |    |
| Load Ratings - $C_r$    | 26000     | lbf | 115500 | N  |
| Load Ratings - $C_{Or}$ | 15300     | lbf | 68000  | N  |
| Weight                  | 33.779    | lb  | 15.322 | kg |

**TIMKEN**  
 THE TIMKEN COMPANY  
 NORTH CANTON, OHIO USA

**RAO2 11/16**  
 Fafnir® Pillow Block Mounted Bearings Eccentric  
 Locking Collar

Every reasonable effort has been made to ensure the accuracy of the information contained in this writing, but no liability is accepted for errors, omissions or for any other reason.

**FOR DISCUSSION ONLY**