



The Timken Company

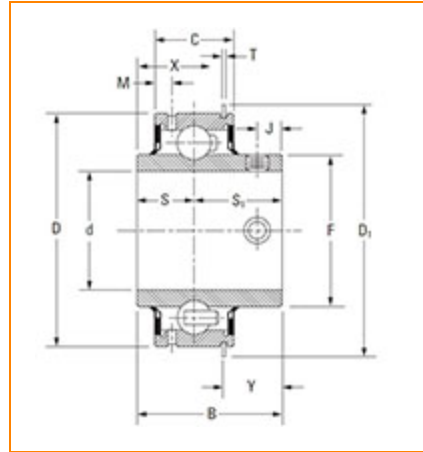
4500 Mt Pleasant St. NW

N. Canton, OH 44720

Phone: (234) 262-3000

E-Mail: CustomerCAD@timken.com • **Web site:** www.timken.com

Part Number ER28, Fafnir® Wide Inner Ring Setscrew Locking Ball Bearings



[Specifications](#) | [Dimensions](#) | [Basic Load Ratings](#)

Specifications

Series	Industrial
Shaft Size d	1 3/4 in
Bore Type	Cylindrical bore
Bearing Type	Ball Bearing
Material	Bearing Steel
Lubrication Type	Relubricatable
O.D. Type	Cylindrical OD
Sub Series	ER
Seal Type	Narrow Shroud
Basic Outer Ring Size	209

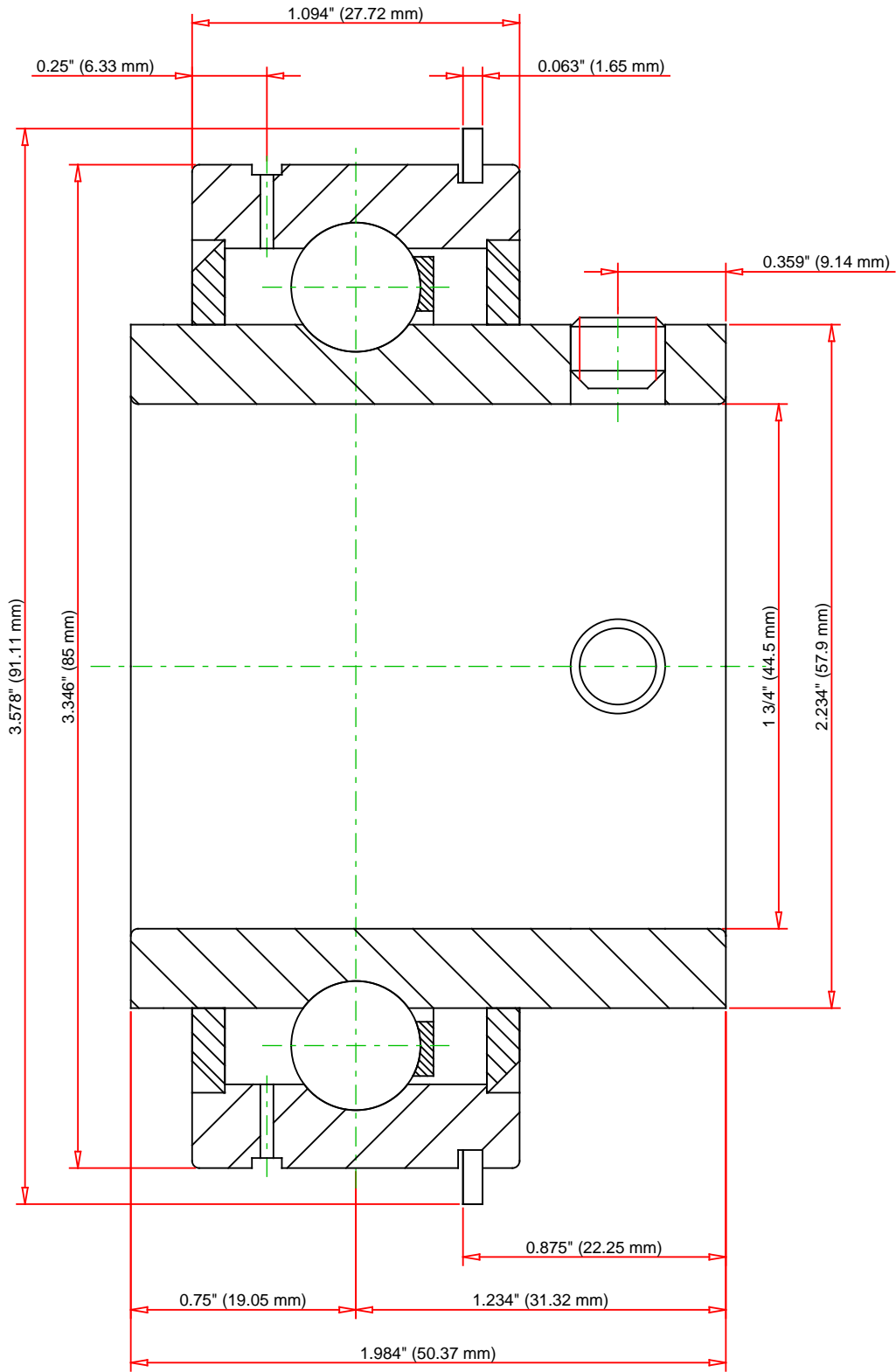


Dimensions

Outside Diameter D	3.346 in 85 mm
Inner Ring Width B	1.984 in 50.37 mm
Outside Ring Width C	1.094 in 27.72 mm
Radius r	0.024 in 0.6 mm
Center of Bearing from End S	0.75 in 19.05 mm
Dimension S1	1.234 in 31.32 mm
Dimension F	2.234 in 57.9 mm
Dimension J	0.359 in 9.14 mm
Dimension M	0.25 in 6.33 mm
Dimension D1	3.578 in 91.11 mm
Dimension T	0.063 in 1.65 mm
Dimension X	1.109 in 28.12 mm
Dimension Y	0.875 in 22.25 mm
Set Screw Size	M8x1.25
Number of Set Screws	2
Angle between Set Screws	90 °

Basic Load Ratings

Static Load Rating	4600 lbf 20424 N
Dynamic Load Rating	8160 lbf 36230.4 N



Weight	1.52 lb	0.69 kg
--------	---------	---------

TIMKEN®

THE TIMKEN COMPANY
NORTH CANTON, OHIO USA

ER28
Fafnir® Wide Inner Ring Setscrew Locking Ball Bearings

Basic Load Ratings - C _r	8160 lbf	36230.4 N
Load Ratings - C _{0r}	4600 lbf	20424 N

Every reasonable effort has been made to ensure the accuracy of the information contained in this writing, but no liability is accepted for errors, omissions or for any other reason.

FOR DISCUSSION ONLY