


The Timken Company

4500 Mt Pleasant St. NW

N. Canton, OH 44720

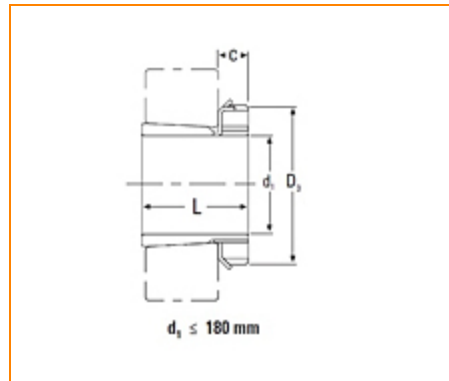
Phone: (234) 262-3000

E-Mail: CustomerCAD@timken.com • **Web site:** www.timken.com

Part Number H2308, Metric H Adapter Sleeve

- Safe and effective tapered bore bearing assembly.
- Includes mounting sleeve, locknut and lockwasher or lockplate.
- Other dimensions may be available, consult your Timken sales representative.

* Adapters with a C1 dimension use a lockplate as the locking device as shown in the illustration; otherwise, a lockwasher is used as the locking device.

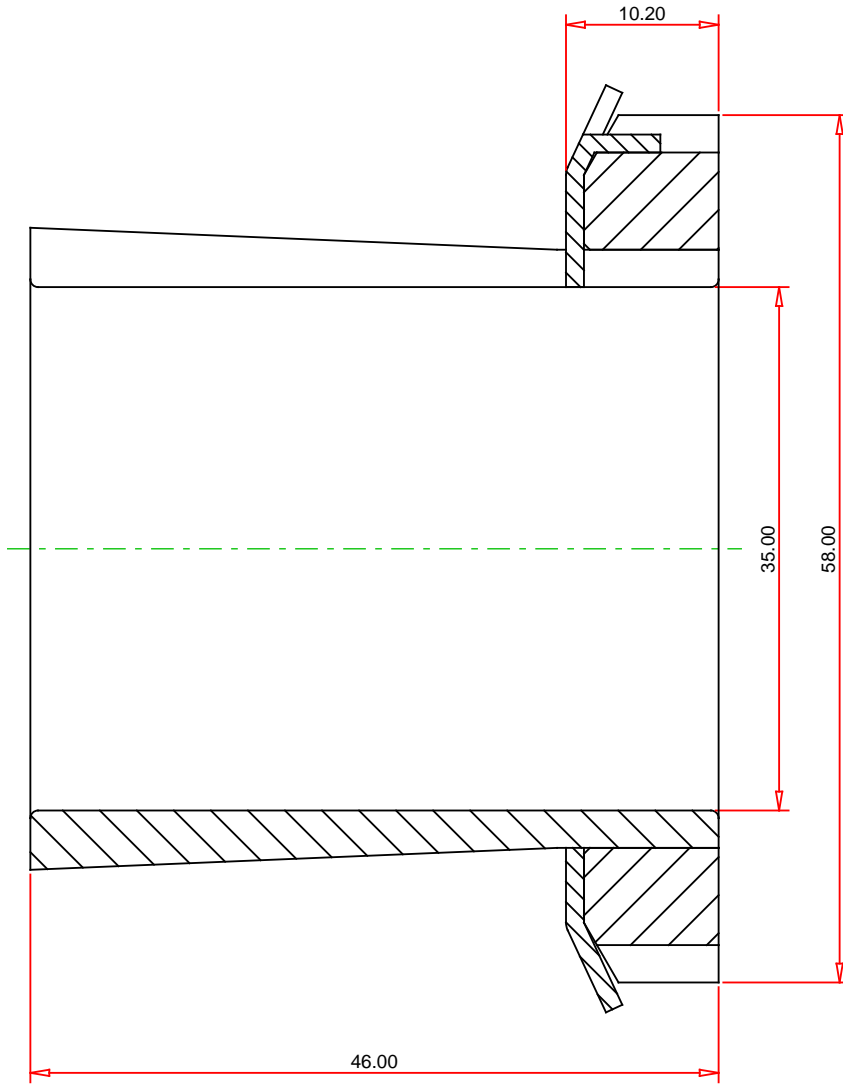


Specifications

d_1	35 mm
L	46 mm
C^1	10 mm
Thread G	M40x1.5
D_3	58 mm
Locknut	KM8
Lockwasher and Lockplates	MB8



¹ Adapters with a C1 dimension use a lockplate as the locking device as shown in the illustration; otherwise, a lockwasher is used as the locking device.



METRIC UNITS

TIMKEN[®]

H2308
Metric H Adapter Sleeve

THE TIMKEN COMPANY
NORTH CANTON, OHIO USA

Every reasonable effort has been made to ensure the accuracy of the information contained in this writing, but no liability is accepted for errors, omissions or for any other reason.

FOR DISCUSSION ONLY