



**The Timken Company**

4500 Mt Pleasant St. NW

N. Canton, OH 44720

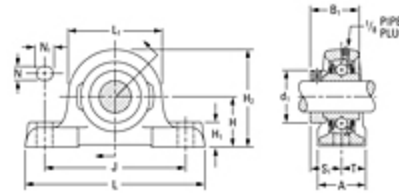
**Phone:** (234) 262-3000

**E-Mail:** [CustomerCAD@timken.com](mailto:CustomerCAD@timken.com) • **Web site:** [www.timken.com](http://www.timken.com)

## Part Number RAO2 3/16, Fafnir® Pillow Block Mounted Bearings Eccentric Locking Collar



### RAO, LAO Heavy Series



[Specifications](#) | [Dimensions](#) | [Basic Load Ratings](#)

#### Specifications

<b>Series</b>	Medium-Duty
<b>Shaft Size d</b>	2 3/16 in
<b>Bearing Type</b>	Ball Bearing
<b>Bearing Number</b>	GN203KRRB
<b>Seal Type</b>	Shroud Seal
<b>Housing Construction</b>	Two-Bolt Pillow Block
<b>Alternate Part Name</b>	RAO2 3/16

#### Dimensions

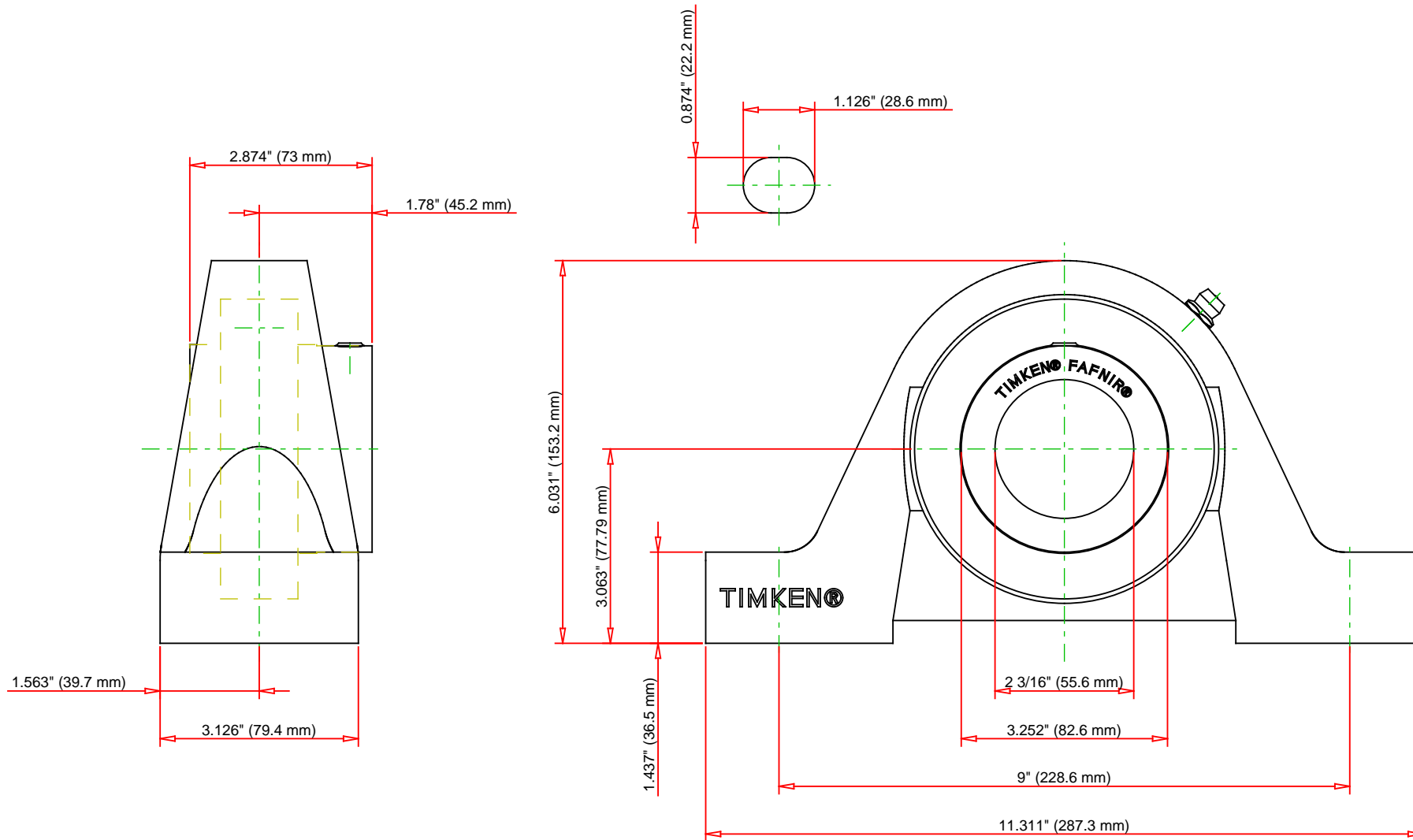
<b>Base to Center Height H</b>	77.79 mm 3.063 in
<b>Total Length L</b>	287.3 mm 11.311 in



<b>Total Width A</b>	79.4 mm 3.126 in
<b>Bolt Hole Spacing J</b>	228.6 mm 9 in
<b>Bolt Hole Width N</b>	22.2 mm 0.874 in
<b>Bolt Hole Length N1</b>	28.6 mm 1.126 in
<b>Foot Height H1</b>	36.5 mm
<b>Total Height H2</b>	153.2 mm 6.031 in
<b>Dimension d1</b>	82.6 mm 3.252 in
<b>Dimension B1</b>	73 mm 2.874 in
<b>Dimension S1</b>	45.2 mm 1.78 in
<b>Dimension T</b>	39.7 mm 1.563 in

## Basic Load Ratings

<b>Static Load Rating</b>	44600 N 10000 lbf
<b>Dynamic Load Rating</b>	79300 N 17800 lbf



Bearing Number	GN203KRRB			
Load Ratings - $C_r$	17800	lbf	79300	N
Load Ratings - $C_{0r}$	10000	lbf	44600	N
Weight	17.505	lb	7.94	kg

**TIMKEN**  
 THE TIMKEN COMPANY  
 NORTH CANTON, OHIO USA

**RAO2 3/16**  
 Fafnir® Pillow Block Mounted Bearings Eccentric  
 Locking Collar

Every reasonable effort has been made to ensure the accuracy of the information contained in this writing, but no liability is accepted for errors, omissions or for any other reason.

**FOR DISCUSSION ONLY**