



**The Timken Company**

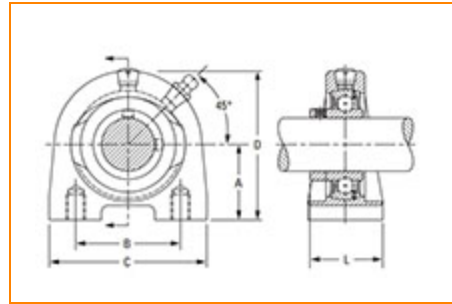
4500 Mt Pleasant St. NW

N. Canton, OH 44720

**Phone:** (234) 262-3000

**E-Mail:** [CustomerCAD@timken.com](mailto:CustomerCAD@timken.com) • **Web site:** [www.timken.com](http://www.timken.com)

## Part Number STB1 1/4, Fafnir® Tapped Base Mounted Bearings - Setscrew Locking



[Specifications](#) | [Dimensions](#) | [Basic Load Ratings](#)

### Specifications

<b>Shaft Size d</b>	1 1/4 in
<b>Bearing Type</b>	Ball Bearing
<b>Bearing Number</b>	GYA104RRB
<b>Housing Construction</b>	Tapped Base

### Dimensions

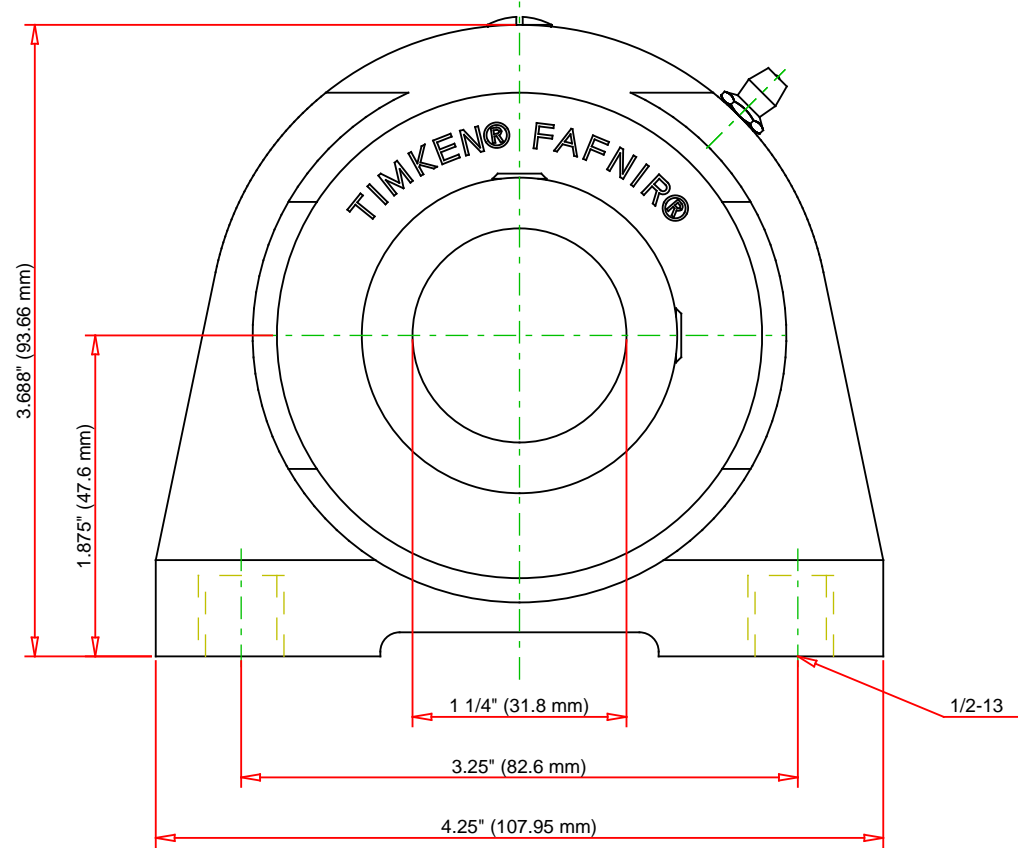
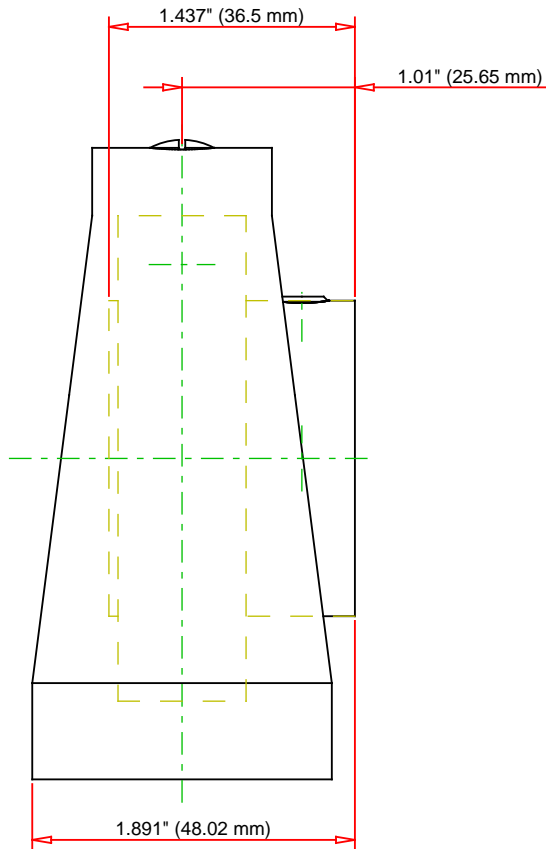
<b>Base to Center Height A</b>	47.6 mm 1.875 in
<b>Total Length C</b>	107.95 mm 4.25 in
<b>Base Width H</b>	44.45 mm 1.75 in



<b>Bolt Hole Spacing B</b>	82.6 mm 3.25 in
<b>Thread Size N</b>	1/2-13
<b>Total Height D</b>	93.66 mm 3.688 in
<b>Dimension B1</b>	36.5 mm 1.4370 in
<b>Dimension S1</b>	25.65 mm 1.01 in

### Basic Load Ratings

<b>Static Load Rating</b>	15300 N 3440 lbf
<b>Dynamic Load Rating</b>	28500 N 6400 lbf



Bearing Number	GYA104RRB			
Load Ratings - C <sub>r</sub>	6400	lbf	28500	N
Load Ratings - C <sub>0r</sub>	3440	lbf	15300	N
Weight		lb		kg
Bolt Size	1/2-13			

**TIMKEN**

THE TIMKEN COMPANY  
NORTH CANTON, OHIO USA

**STB1 1/4**

Fafnir® Tapped Base Mounted Bearings -  
Setscrew Locking

Every reasonable effort has been made to ensure the accuracy of the information contained in this writing, but no liability is accepted for errors, omissions or for any other reason.

**FOR DISCUSSION ONLY**