



**The Timken Company**

4500 Mt Pleasant St. NW

N. Canton, OH 44720

**Phone:** (234) 262-3000

**E-Mail:** [CustomerCAD@timken.com](mailto:CustomerCAD@timken.com) • **Web site:** [www.timken.com](http://www.timken.com)

## Part Number RTU1 1/2, Fafnir® Take-Up Mounted Bearings Eccentric Locking Collar




[Specifications](#) | [Dimensions](#) | [Basic Load Ratings](#)

### Specifications

<b>Series</b>	Industrial
<b>Shaft Size d</b>	1 1/2 in
<b>Bearing Number</b>	G1108KRRB
<b>Seal Type</b>	Shroud Seal
<b>Housing Construction</b>	Take-Up
<b>Alternate Part Name</b>	RTU1 1/2

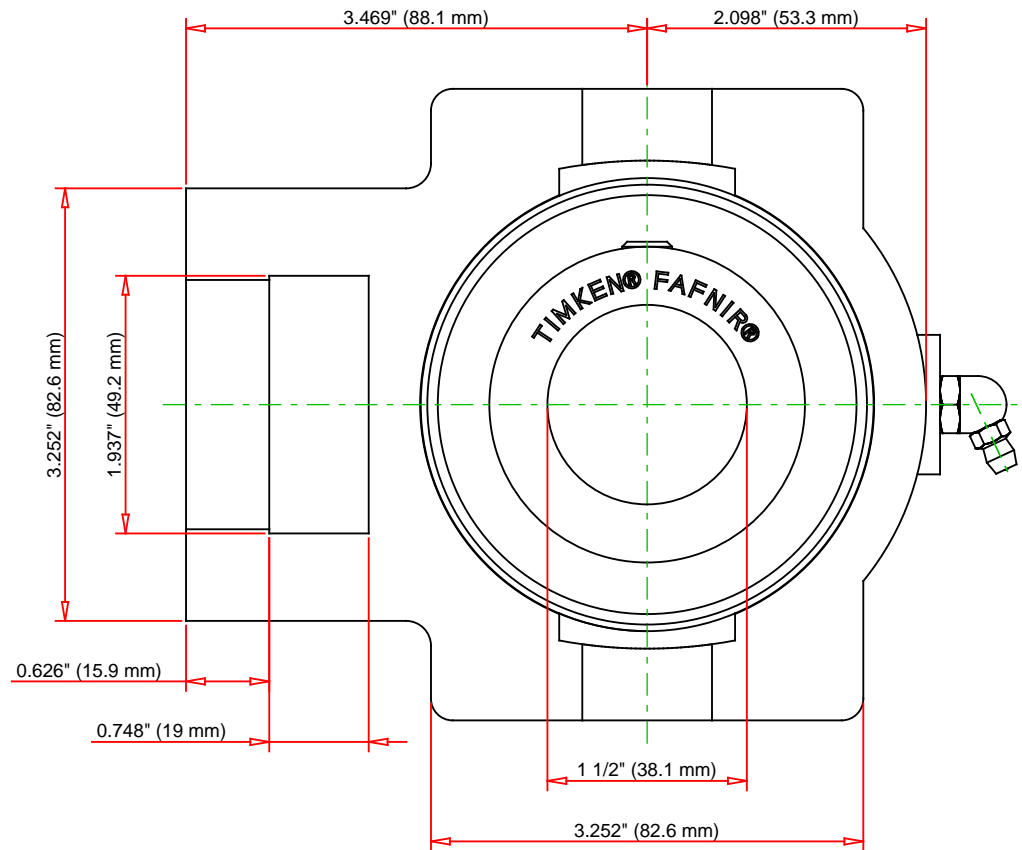
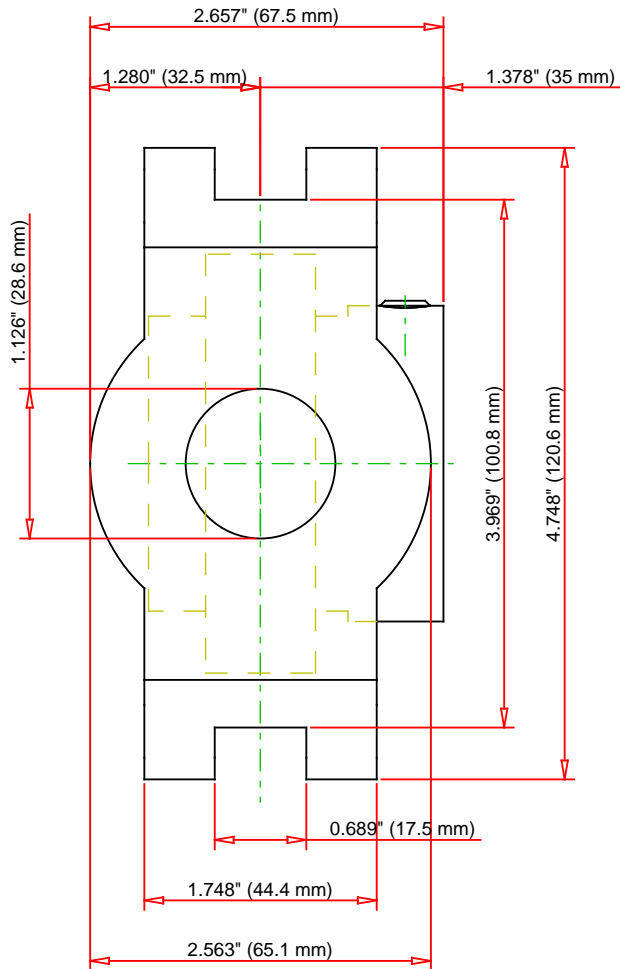
### Dimensions

<b>Housing Width A</b>	65.1 mm 2.563 in
 <b>Slot Width A1</b>	17.5 mm 0.689 in

<b>Socket Width A2</b>	44.4 mm 1.748 in
<b>Total Height H</b>	120.6 mm 4.748 in
<b>Pitch Height H1</b>	100.8 mm
<b>Height H2</b>	82.6 mm
<b>Total Length L</b>	141.4 mm 5.567 in
<b>Shaft Length L1</b>	88.1 mm 3.469 in
<b>Dimension L2</b>	15.9 mm
<b>Slot Length L3</b>	82.6 mm 3.252 in
<b>Adjustment Screw Bore N</b>	28.6 mm 1.126 in
<b>Opening Width N1</b>	19 mm 0.748 in
<b>Opening Height N2</b>	49.2 mm 1.937 in
<b>Dimension S1</b>	35 mm 1.378 in
<b>Dimension G</b>	67.5 mm 2.657 in
<b>Dimension P</b>	53.3 mm 2.098 in
<b>Dimension T</b>	32.5 mm 1.28 in

<b>Static Load Rating</b>	19800 N 4460 lbf
---------------------------	---------------------

<b>Dynamic Load Rating</b>	36200 N 8130 lbf
----------------------------	---------------------



Bearing Number	G1108KRRB			
Load Ratings - C <sub>r</sub>	8130	lbf	36200	N
Load Ratings - C <sub>0r</sub>	4460	lbf	19800	N
Weight	7.3	lb	3.31	kg

**TIMKEN**  
 THE TIMKEN COMPANY  
 NORTH CANTON, OHIO USA

**RTU1 1/2**  
 Fafnir® Take-Up Mounted Bearings Eccentric  
 Locking Collar

Every reasonable effort has been made to ensure the accuracy of the information contained in this writing, but no liability is accepted for errors, omissions or for any other reason.

**FOR DISCUSSION ONLY**