



The Timken Company

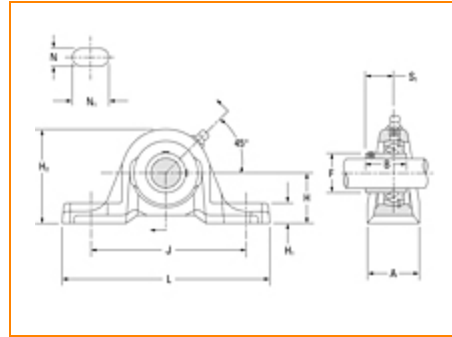
4500 Mt Pleasant St. NW

N. Canton, OH 44720

Phone: (234) 262-3000

E-Mail: CustomerCAD@timken.com • **Web site:** www.timken.com

Part Number SAK1 1/2, Fafnir® Pillow Block Mounted Bearings Setscrew Locking



[Specifications](#) | [Dimensions](#) | [Basic Load Ratings](#)

Specifications

Series	Standard
Shaft Size d	1 1/2 in
Bearing Type	Ball Bearing
Bearing Number	GYA108RRB
Seal Type	Narrow Shroud
Housing Construction	Two-Bolt Pillow Block
Alternate Part Name	SAK1 1/2

Dimensions

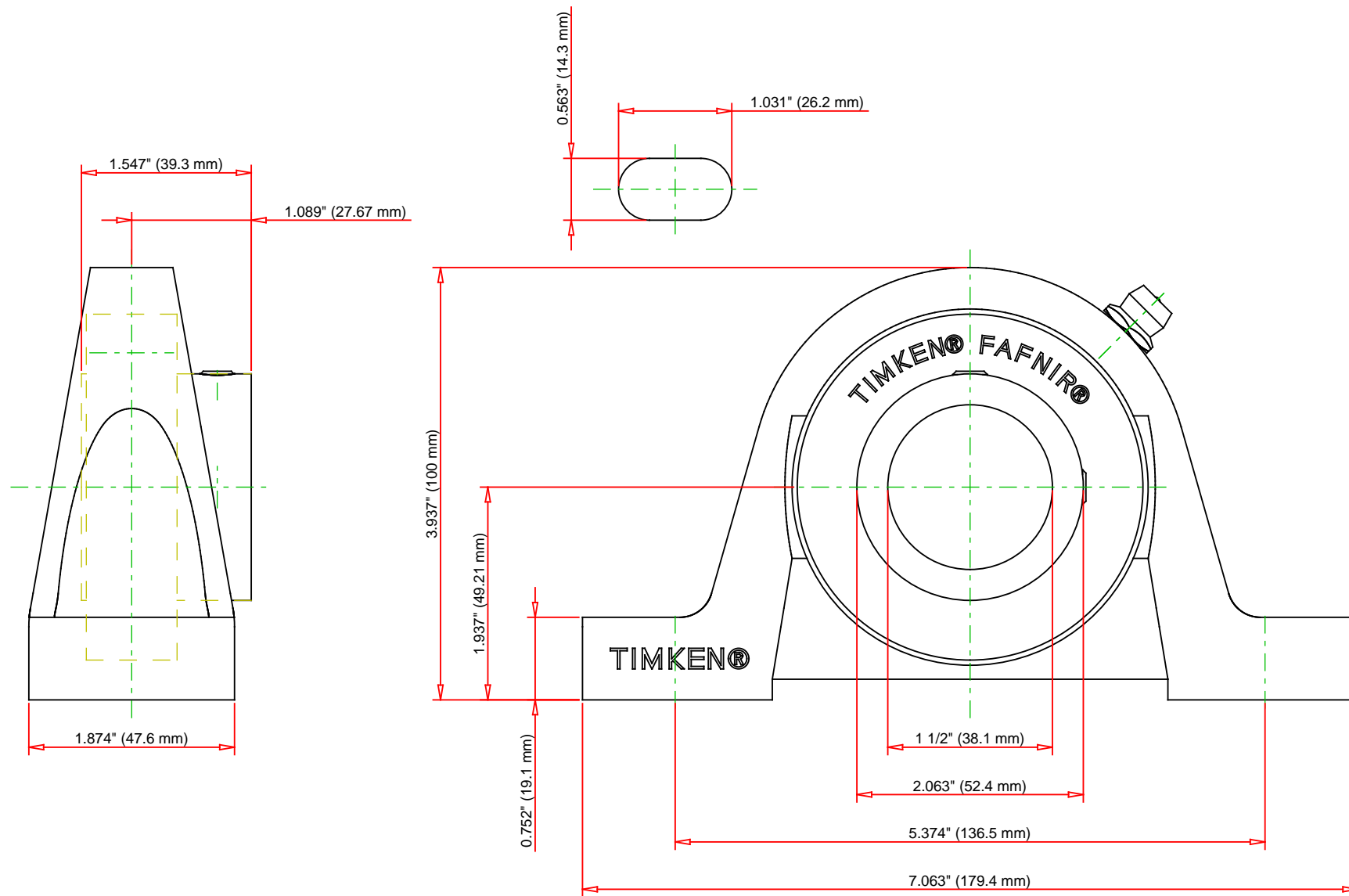
Base to Center Height H	49.21 mm 1.937 in
Total Length L	179.4 mm 7.063 in



Total Width A	47.6 mm 1.874 in
Bolt Hole Spacing J	136.5 mm 5.374 in
Bolt Hole Width N	14.3 mm 0.563 in
Bolt Hole Length N1	26.2 mm 1.031 in
Foot Height H1	19.1 mm
Total Height H2	100 mm 3.937 in
Inside Ring Width B	39.3 mm 1.547 in
Dimension S1	27.67 mm 1.089 in
Dimension F	52.4 mm 2.063 in

Basic Load Ratings

Static Load Rating	19800 N 4460 lbf
Dynamic Load Rating	36200 N 8130 lbf



Bearing Number	GYA108RRB			
Load Ratings - C _r	8130	lbf	36200	N
Load Ratings - C _{0r}	4460	lbf	19800	N
Weight	4.079	lb	1.85	kg
Bolt Size	M8x1.25			

TIMKEN

THE TIMKEN COMPANY
NORTH CANTON, OHIO USA

SAK1 1/2

Fafnir® Pillow Block Mounted Bearings Setscrew Locking

Every reasonable effort has been made to ensure the accuracy of the information contained in this writing, but no liability is accepted for errors, omissions or for any other reason.

FOR DISCUSSION ONLY