



The Timken Company

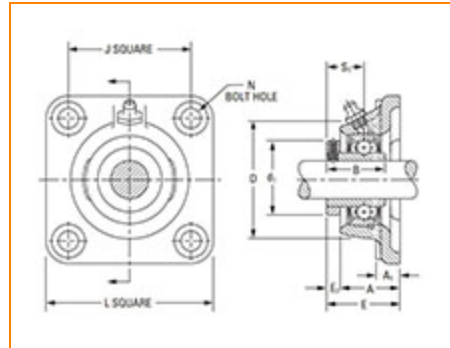
4500 Mt Pleasant St. NW

N. Canton, OH 44720

Phone: (234) 262-3000

E-Mail: CustomerCAD@timken.com • **Web site:** www.timken.com

Part Number RCJC1 15/16, Fafnir® Four-Bolt Flanged Mounted Bearings Concentric Locking Collar



[Specifications](#) | [Dimensions](#) | [Basic Load Ratings](#)

Specifications

Series	Industrial
Shaft Size d	1 15/16 in
Bearing Number	GC1115KRRB
Seal Type	Shroud Seal
Housing Construction	Four-Bolt Square Flange
Alternate Part Name	RCJC1 15/16

Dimensions

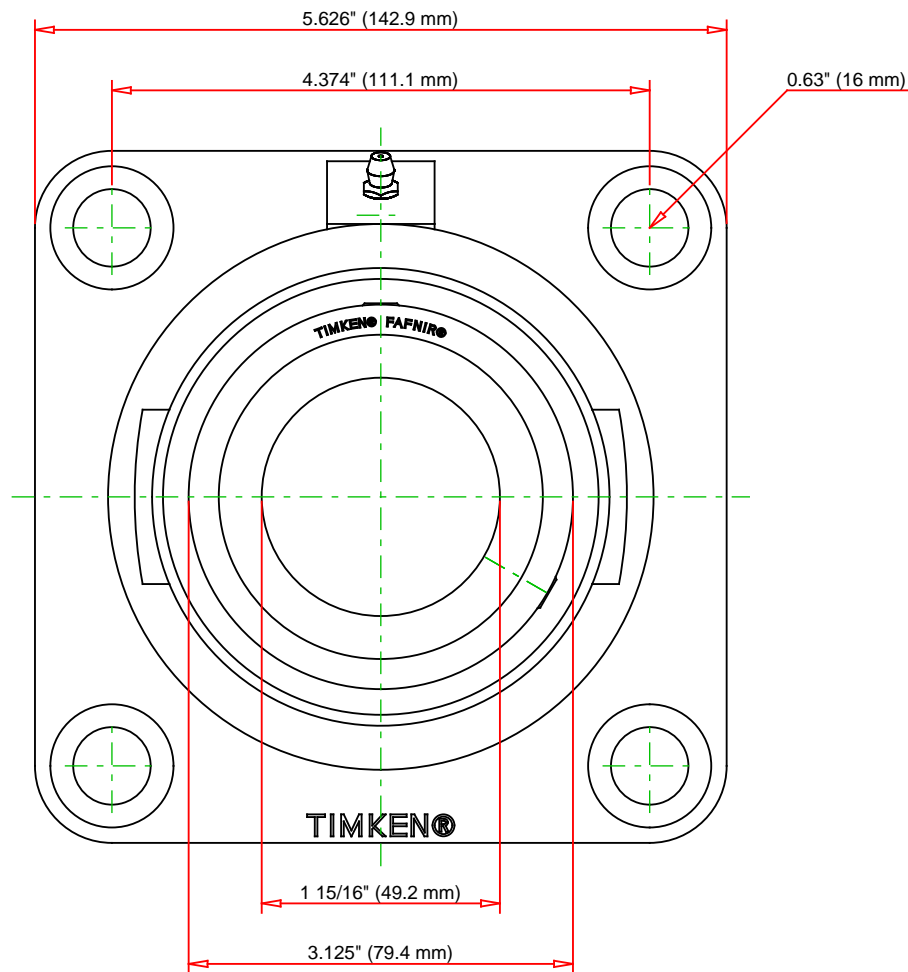
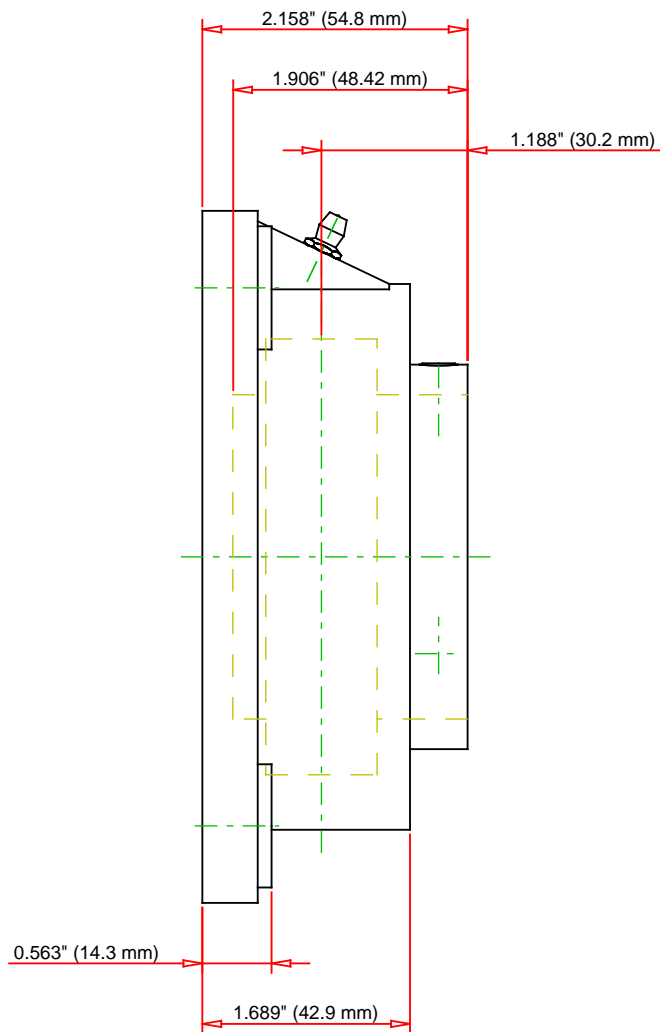
Total Length L	142.9 mm 5.626 in
-----------------------	----------------------



Housing Width A	42.9 mm 1.689 in
Flange Thickness A1	14.3 mm 0.563 in
Bolt Hole Spacing	111.1 mm 4.374 in
Bolt Hole Size N	16 mm 0.63 in
Dimension B1	48.4 mm 1.9 in
Dimension S1	30.2 mm 1.19 in
Dimension D	112.7 mm 4.437 in
Dimension E	66.4 mm 2.614 in
Dimension d1	79.4 mm 3.13 in
Bolt Size	M16

Basic Load Ratings

Static Load Rating	23200 N 5210 lbf
Dynamic Load Rating	38900 N 8740 lbf



Bearing Number	GC1115KRRB			
Load Ratings - C _r	8800	lbf	39200	N
Load Ratings - C _{0r}	5100	lbf	22700	N
Weight	6.65	lb	3.016	kg

TIMKEN®
 THE TIMKEN COMPANY
 NORTH CANTON, OHIO USA

RCJC1 15/16
 Fafnir® Four-Bolt Flanged Mounted Bearings
 Concentric Locking Collar

Every reasonable effort has been made to ensure the accuracy of the information contained in this writing, but no liability is accepted for errors, omissions or for any other reason.

FOR DISCUSSION ONLY