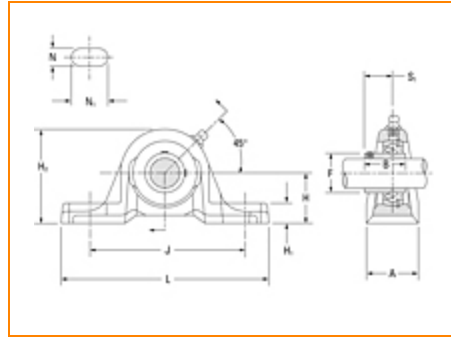



The Timken Company

4500 Mt Pleasant St. NW

N. Canton, OH 44720

Phone: (234) 262-3000

E-Mail: CustomerCAD@timken.com • **Web site:** www.timken.com
Part Number SAK1 15/16, Fafnir® Pillow Block Mounted Bearings Setscrew Locking

[Specifications](#) | [Dimensions](#) | [Basic Load Ratings](#)
Specifications

Series	Standard
Shaft Size d	1 15/16 in
Bearing Type	Ball Bearing
Bearing Number	GYA115RRB
Seal Type	Narrow Shroud
Housing Construction	Two-Bolt Pillow Block
Alternate Part Name	SAK1 15/16

Dimensions

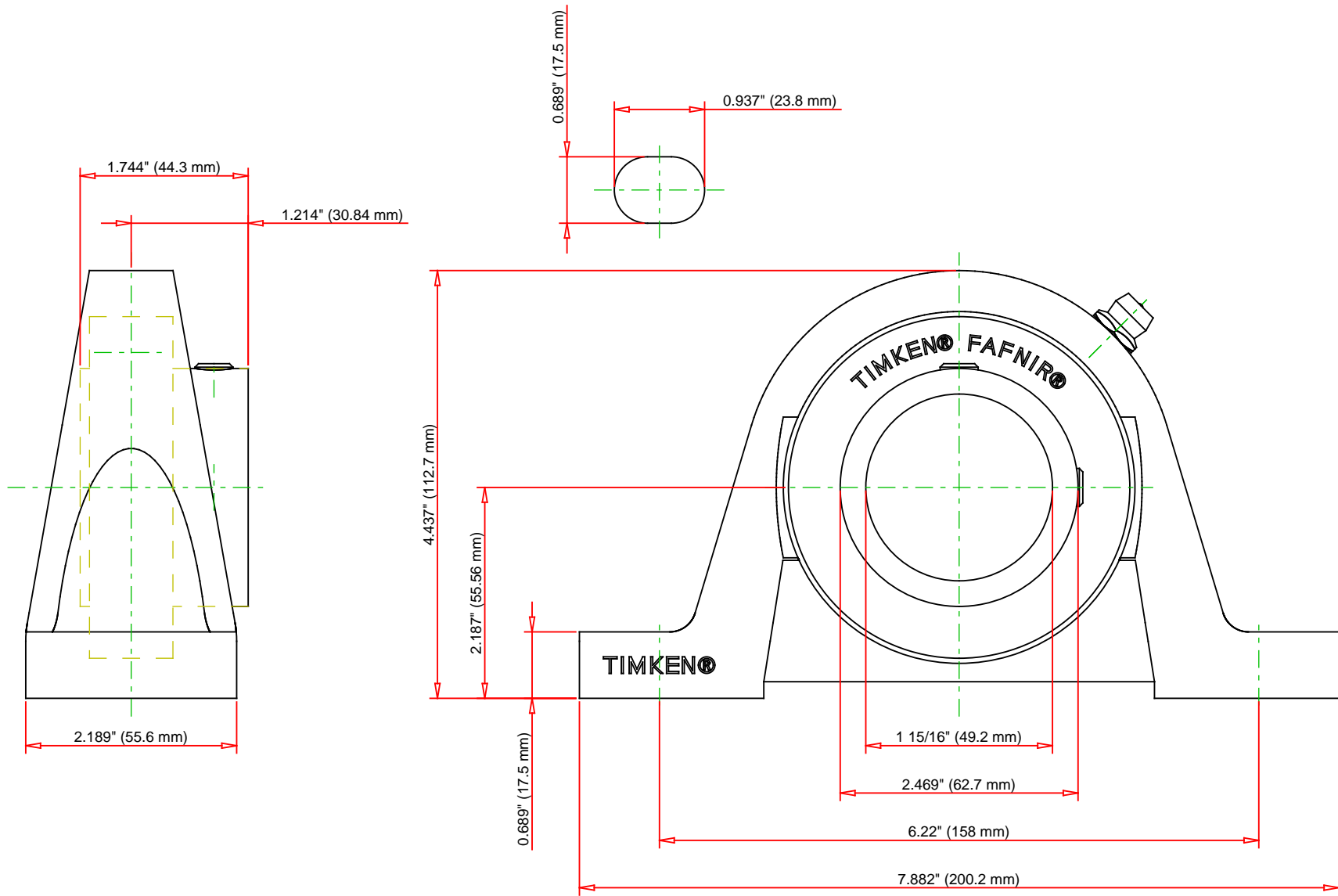
Base to Center Height H	55.56 mm 2.187 in
Total Length L	200.2 mm 7.882 in



Total Width A	55.6 mm 2.189 in
Bolt Hole Spacing J	158 mm 6.22 in
Bolt Hole Width N	17.5 mm 0.689 in
Bolt Hole Length N1	23.8 mm 0.937 in
Foot Height H1	17.5 mm
Total Height H2	112.7 mm 4.437 in
Inside Ring Width B	44.3 mm 1.744 in
Dimension S1	30.84 mm 1.214 in
Dimension F	62.7 mm 2.469 in

Basic Load Ratings

Static Load Rating	23200 N 5210 lbf
Dynamic Load Rating	38900 N 8740 lbf



Bearing Number	GYA115RRB			
Load Ratings - C _r	8740	lbf	38900	N
Load Ratings - C _{0r}	5210	lbf	23200	N
Weight	5.6	lb	2.54	kg
Bolt Size	M10x1.5			

TIMKEN[®]

THE TIMKEN COMPANY
NORTH CANTON, OHIO USA

SAK1 15/16
Fafnir[®] Pillow Block Mounted Bearings Setscrew Locking

Every reasonable effort has been made to ensure the accuracy of the information contained in this writing, but no liability is accepted for errors, omissions or for any other reason.

FOR DISCUSSION ONLY