



The Timken Company

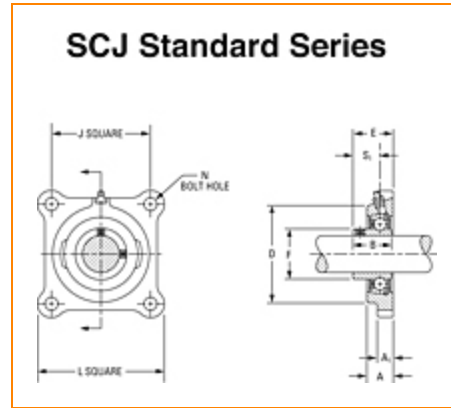
4500 Mt Pleasant St. NW

N. Canton, OH 44720

Phone: (234) 262-3000

E-Mail: CustomerCAD@timken.com • **Web site:** www.timken.com

Part Number SCJ1 1/2, Fafnir® Four-Bolt Flanged Mounted Bearings Setscrew Locking



[Specifications](#) | [Dimensions](#) | [Basic Load Ratings](#)

Specifications

Series	Standard
Shaft Size d	1 1/2 in
Bearing Number	GYA108RRB
Seal Type	Molded Shroud
Housing Construction	Four-Bolt Square Flange
Alternate Part Name	SCJ11/2

Dimensions

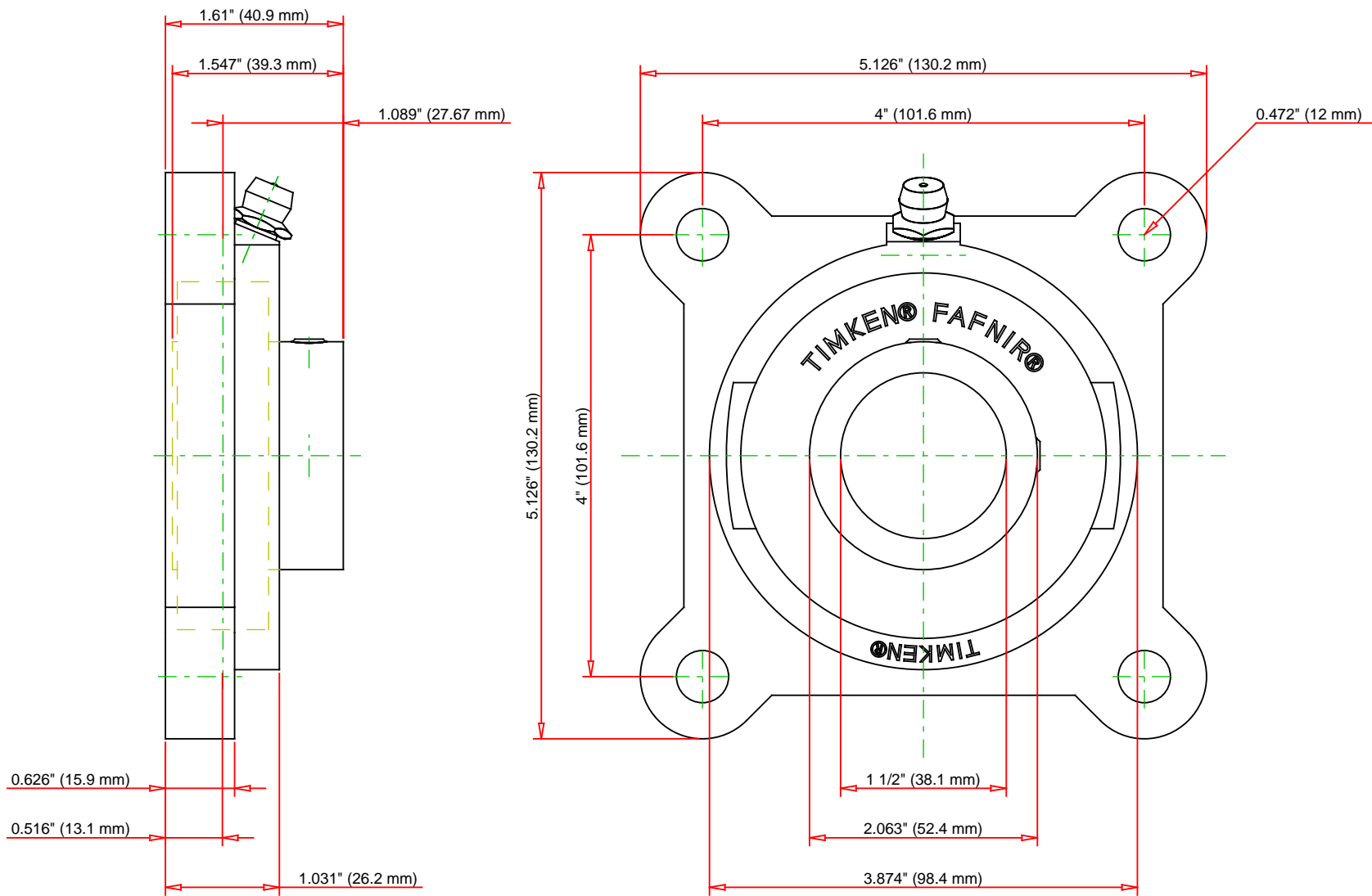
Total Length L	130.2 mm 5.126 in
Housing Width A	26.2 mm 1.031 in



Bolt Hole Spacing	101.6 mm 4 in
Bolt Hole Size N	12 mm 0.472 in
Flange Thickness A1	15.9 mm 0.626 in
Center of Bearing from Housing End A2	13.1 mm 0.516 in
Inside Ring Width B	39.3 mm 1.547 in
Dimension S1	27.67 mm 1.089 in
Dimension D	98.4 mm 3.874 in
Dimension E	40.9 mm 1.61 in
Dimension F	52.4 mm 2.063 in
Bolt Size	M12

Basic Load Ratings

Static Load Rating	19800 N 4460 lbf
Dynamic Load Rating	36200 N 8130 lbf



Bearing Number	GYA108RRB			
Load Ratings - C _r	8130	lbf	36200	N
Load Ratings - C _{0r}	4460	lbf	19800	N
Weight	4.63	lb	2.1	kg
Bolt Size	M8x1.25			

TIMKEN®

THE TIMKEN COMPANY
NORTH CANTON, OHIO USA

SCJ1 1/2

Fafnir® Four-Bolt Flanged Mounted Bearings
Setscrew Locking

Every reasonable effort has been made to ensure the accuracy of the information contained in this writing, but no liability is accepted for errors, omissions or for any other reason.

FOR DISCUSSION ONLY