



**The Timken Company**

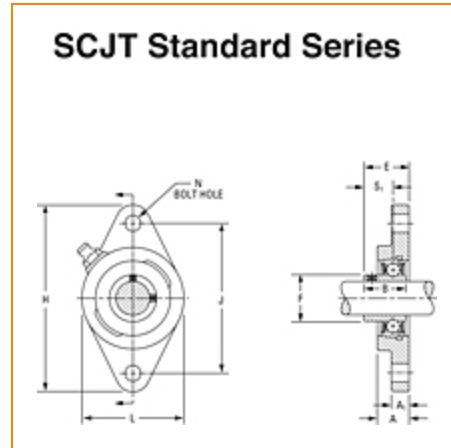
4500 Mt Pleasant St. NW

N. Canton, OH 44720

**Phone:** (234) 262-3000

**E-Mail:** [CustomerCAD@timken.com](mailto:CustomerCAD@timken.com) • **Web site:** [www.timken.com](http://www.timken.com)

## Part Number SCJT1 1/2, Fafnir® Two-Bolt Flanged Mounted Bearings Setscrew Locking



[Specifications](#) | [Dimensions](#) | [Basic Load Ratings](#)

### Specifications

|                             |                 |
|-----------------------------|-----------------|
| <b>Series</b>               | Standard        |
| <b>Shaft Size d</b>         | 1 1/2 in        |
| <b>Bearing Type</b>         | Ball Bearing    |
| <b>Bearing Number</b>       | GYA108RRB       |
| <b>Seal Type</b>            | Narrow Shroud   |
| <b>Housing Construction</b> | Two-Bolt Flange |
| <b>Alternate Part Name</b>  | SCJT1 1/2       |

### Dimensions



**Total Length H**

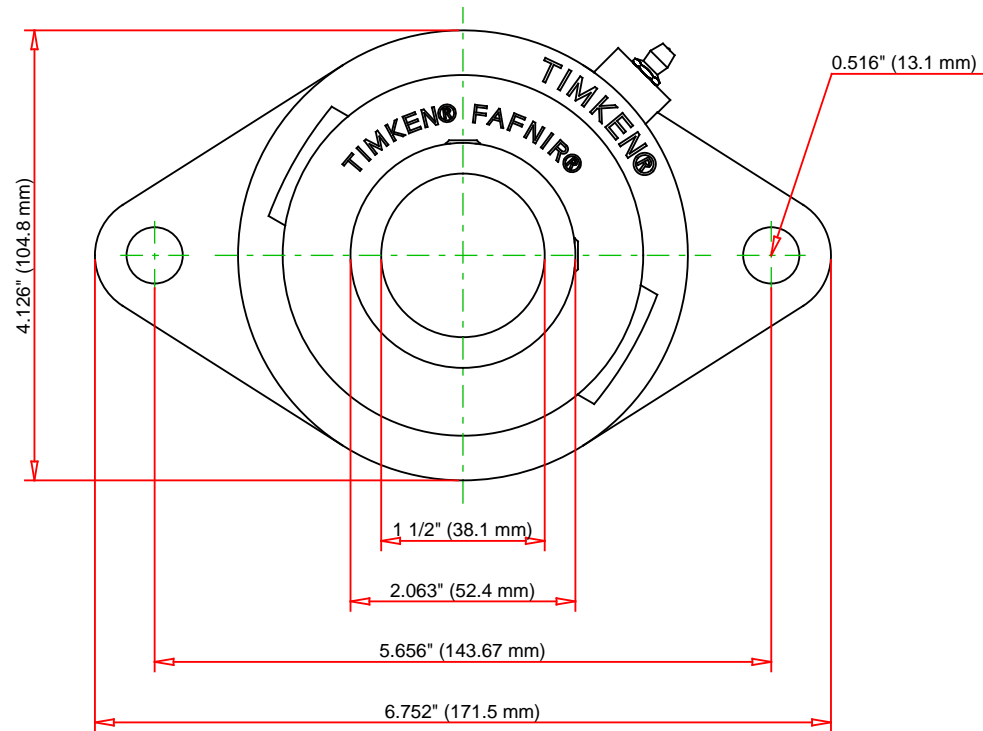
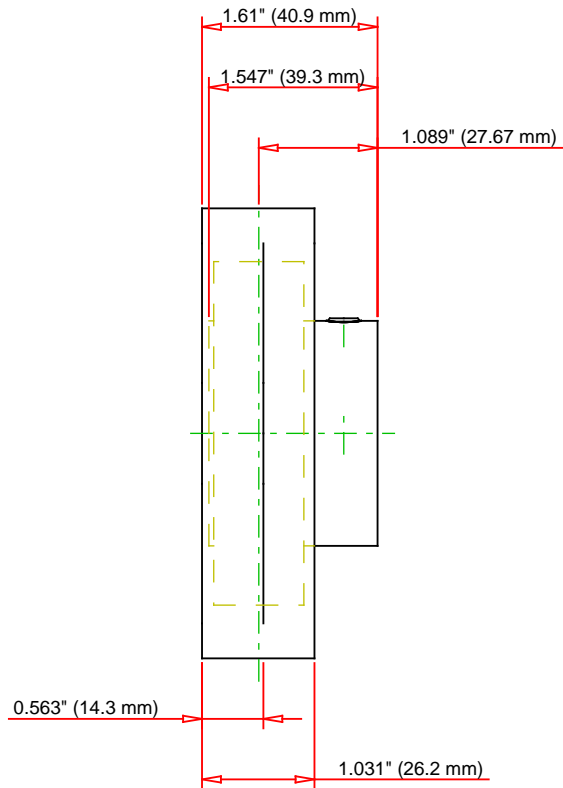
171.5 mm

6.752 in

|                            |                       |
|----------------------------|-----------------------|
| <b>Total Height L</b>      | 104.8 mm<br>4.126 in  |
| <b>Housing Width A</b>     | 26.2 mm<br>1.031 in   |
| <b>Bolt Hole Spacing J</b> | 143.67 mm<br>5.656 in |
| <b>Bolt Hole Size N</b>    | 13.1 mm<br>0.516 in   |
| <b>Flange Thickness A1</b> | 14.3 mm<br>0.563 in   |
| <b>Inside Ring Width B</b> | 39.3 mm<br>1.547 in   |
| <b>Dimension S1</b>        | 27.67 mm<br>1.089 in  |
| <b>Dimension E</b>         | 40.9 mm<br>1.61 in    |
| <b>Dimension F</b>         | 52.4 mm<br>2.063 in   |

## Basic Load Ratings

|                            |                     |
|----------------------------|---------------------|
| <b>Static Load Rating</b>  | 19800 N<br>4460 lbf |
| <b>Dynamic Load Rating</b> | 36200 N<br>8130 lbf |



|                                |           |     |       |    |
|--------------------------------|-----------|-----|-------|----|
| Bearing Number                 | GYA108RRB |     |       |    |
| Load Ratings - C <sub>r</sub>  | 8130      | lbf | 36200 | N  |
| Load Ratings - C <sub>0r</sub> | 4460      | lbf | 19800 | N  |
| Weight                         | 4.343     | lb  | 1.97  | kg |
| Bolt Size                      | M8x1.25   |     |       |    |

**TIMKEN**

THE TIMKEN COMPANY  
NORTH CANTON, OHIO USA

**SCJT1 1/2**  
Fafnir® Two-Bolt Flanged Mounted Bearings  
Setscrew Locking

Every reasonable effort has been made to ensure the accuracy of the information contained in this writing, but no liability is accepted for errors, omissions or for any other reason.

**FOR DISCUSSION ONLY**