



**The Timken Company**

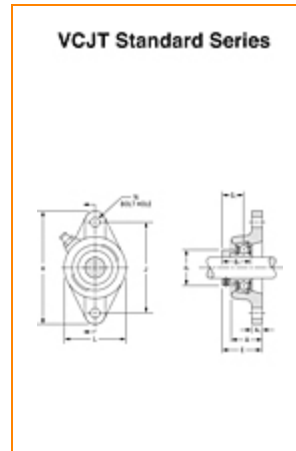
4500 Mt Pleasant St. NW

N. Canton, OH 44720

**Phone:** (234) 262-3000

**E-Mail:** [CustomerCAD@timken.com](mailto:CustomerCAD@timken.com) • **Web site:** [www.timken.com](http://www.timken.com)

## Part Number VCJT1 1/2, Fafnir® Two-Bolt Flanged Mounted Bearings Eccentric Locking Collar



[Specifications](#) | [Dimensions](#) | [Basic Load Ratings](#)

### Specifications

<b>Series</b>	Standard
<b>Shaft Size d</b>	1 1/2 in
<b>Bearing Type</b>	Ball Bearing
<b>Bearing Number</b>	GRA108RRB
<b>Seal Type</b>	Molded Shroud
<b>Housing Construction</b>	Two-Bolt Flange
<b>Alternate Part Name</b>	VCJT1 1/2

### Dimensions



**Total Length H** 171.4 mm  
6.748 in

**Total Height L** 104.7 mm  
4.122 in

**Housing Width A** 38.1 mm  
1.5 in

**Bolt Hole Spacing J** 143.6 mm  
5.654 in

**Bolt Hole Size N** 13.1 mm  
0.516 in

**Flange Thickness A1** 12.7 mm  
0.5 in

**Dimension B1** 43.7 mm  
1.72 in

**Dimension S1** 32.7 mm  
1.287 in

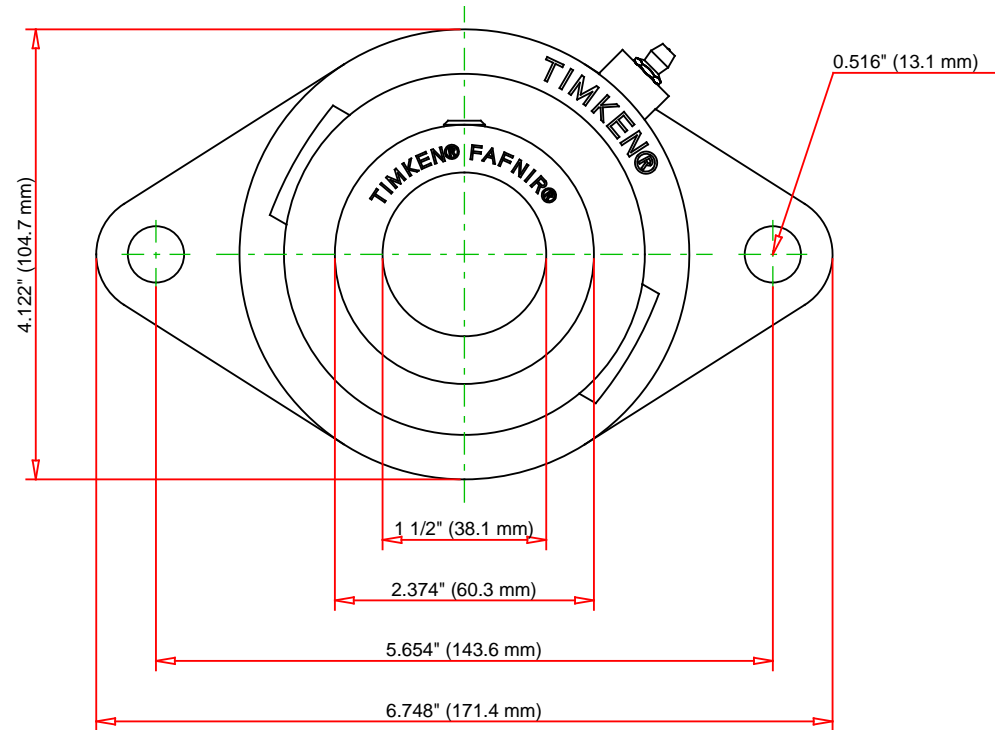
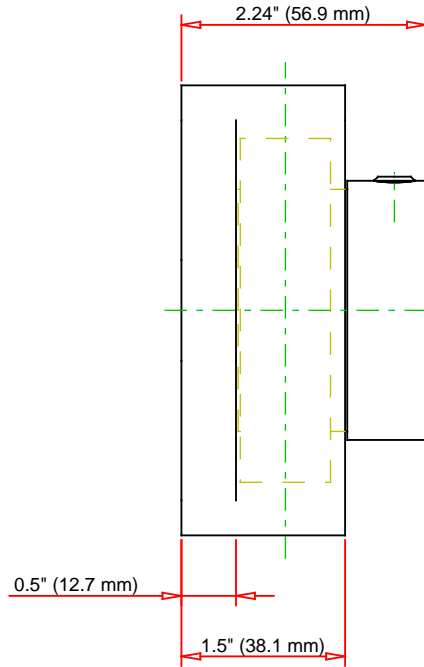
**Dimension E** 56.9 mm  
2.24 in

**Dimension d1** 60.3 mm  
2.374 in

## Basic Load Ratings

**Static Load Rating** 19800 N  
4460 lbf

**Dynamic Load Rating** 36200 N  
8130 lbf



Bearing Number	GRA108RRB			
Load Ratings - $C_r$	8130	lbf	36200	N
Load Ratings - $C_{0r}$	4460	lbf	19800	N
Weight	4.575	lb	2.075	kg

**TIMKEN**

THE TIMKEN COMPANY  
NORTH CANTON, OHIO USA

**VCJT1 1/2**  
Fafnir® Two-Bolt Flanged Mounted Bearings  
Eccentric Locking Collar

Every reasonable effort has been made to ensure the accuracy of the information contained in this writing, but no liability is accepted for errors, omissions or for any other reason.

**FOR DISCUSSION ONLY**