



The Timken Company

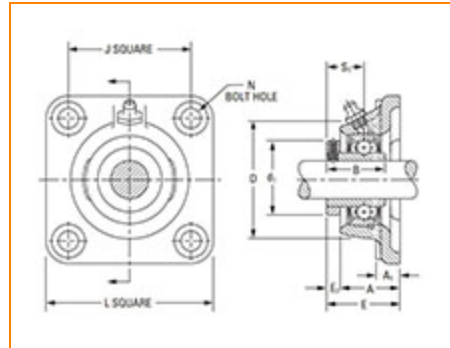
4500 Mt Pleasant St. NW

N. Canton, OH 44720

Phone: (234) 262-3000

E-Mail: CustomerCAD@timken.com • **Web site:** www.timken.com

Part Number RCJC1 11/16, Fafnir® Four-Bolt Flanged Mounted Bearings Concentric Locking Collar



[Specifications](#) | [Dimensions](#) | [Basic Load Ratings](#)

Specifications

Series	Industrial
Shaft Size d	1 11/16 in
Bearing Number	GC1111KRRB
Seal Type	Shroud Seal
Housing Construction	Four-Bolt Square Flange
Alternate Part Name	RCJC1 11/16

Dimensions

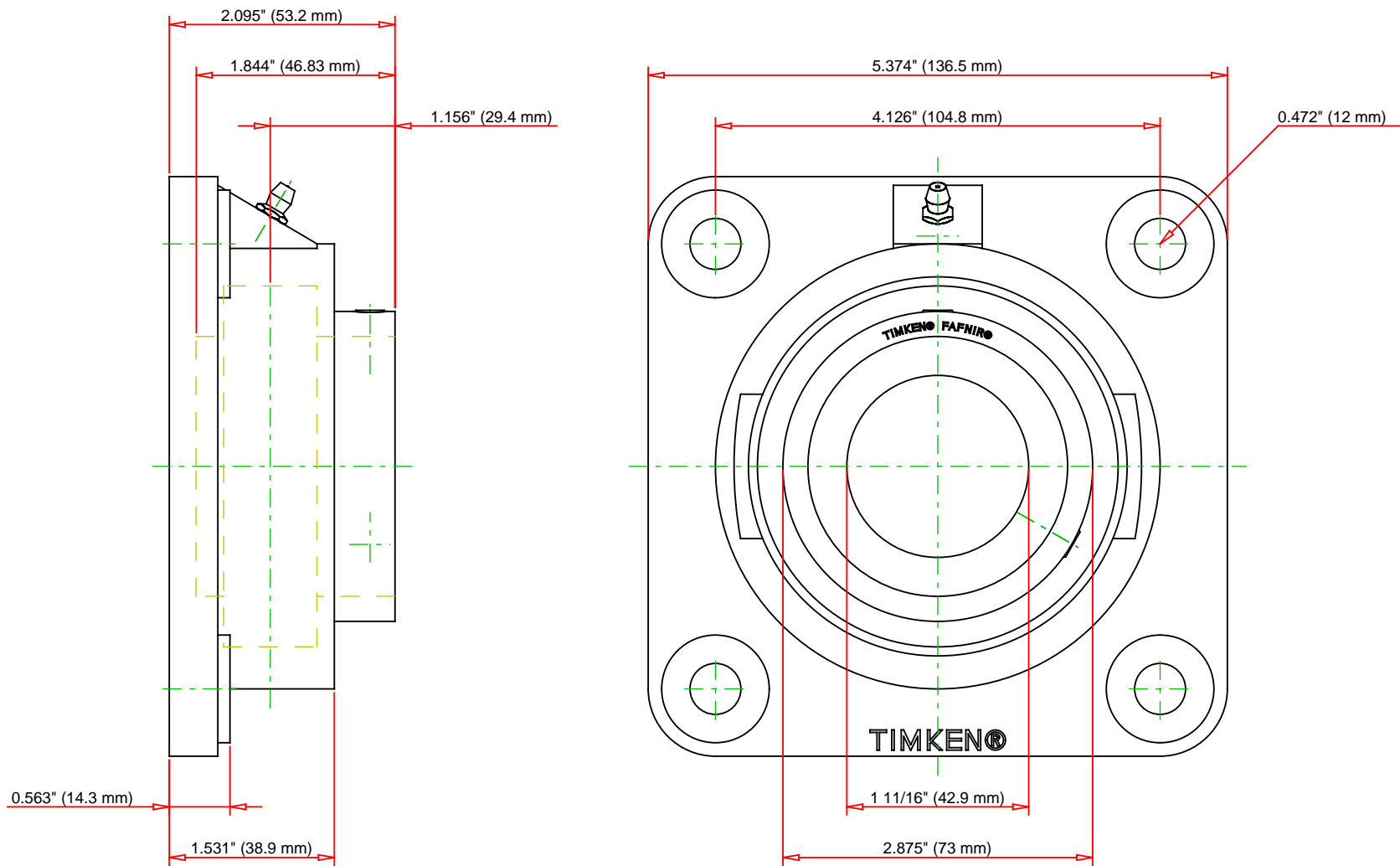
Total Length L	136.5 mm 5.374 in
-----------------------	----------------------



Housing Width A	38.9 mm 1.531 in
Flange Thickness A1	14.3 mm 0.563 in
Bolt Hole Spacing	104.8 mm 4.126 in
Bolt Hole Size N	12 mm 0.472 in
Dimension B1	46.8 mm 1.85 in
Dimension S1	29.4 mm 1.16 in
Dimension D	104.8 mm 4.126 in
Dimension E	59.3 mm 2.335 in
Dimension d1	73 mm 2.88 in
Bolt Size	M12

Basic Load Ratings

Static Load Rating	20500 N 4600 lbf
Dynamic Load Rating	36300 N 8160 lbf



Bearing Number	GC1111KRRB			
Load Ratings - C _r	8160	lbf	36300	N
Load Ratings - C _{0r}	8130	lbf	36200	N
Weight	5.7	lb	2.585	kg

TIMKEN®

THE TIMKEN COMPANY
NORTH CANTON, OHIO USA

RCJC1 11/16
Fafnir® Four-Bolt Flanged Mounted Bearings
Concentric Locking Collar

Every reasonable effort has been made to ensure the accuracy of the information contained in this writing, but no liability is accepted for errors, omissions or for any other reason.

FOR DISCUSSION ONLY