



**The Timken Company**

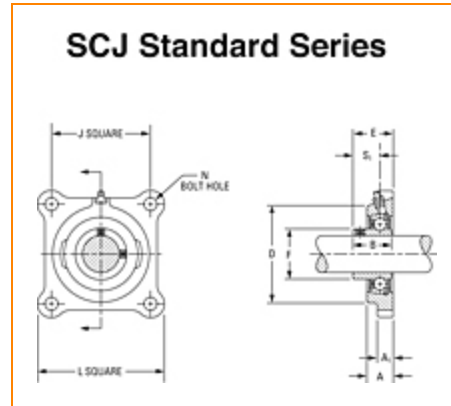
4500 Mt Pleasant St. NW

N. Canton, OH 44720

**Phone:** (234) 262-3000

**E-Mail:** [CustomerCAD@timken.com](mailto:CustomerCAD@timken.com) • **Web site:** [www.timken.com](http://www.timken.com)

## Part Number SCJ1 11/16, Fafnir® Four-Bolt Flanged Mounted Bearings Setscrew Locking



[Specifications](#) | [Dimensions](#) | [Basic Load Ratings](#)

### Specifications

<b>Series</b>	Standard
<b>Shaft Size d</b>	1 11/16 in
<b>Bearing Number</b>	GYA111RRB
<b>Seal Type</b>	Molded Shroud
<b>Housing Construction</b>	Four-Bolt Square Flange
<b>Alternate Part Name</b>	SCJ111/16

### Dimensions

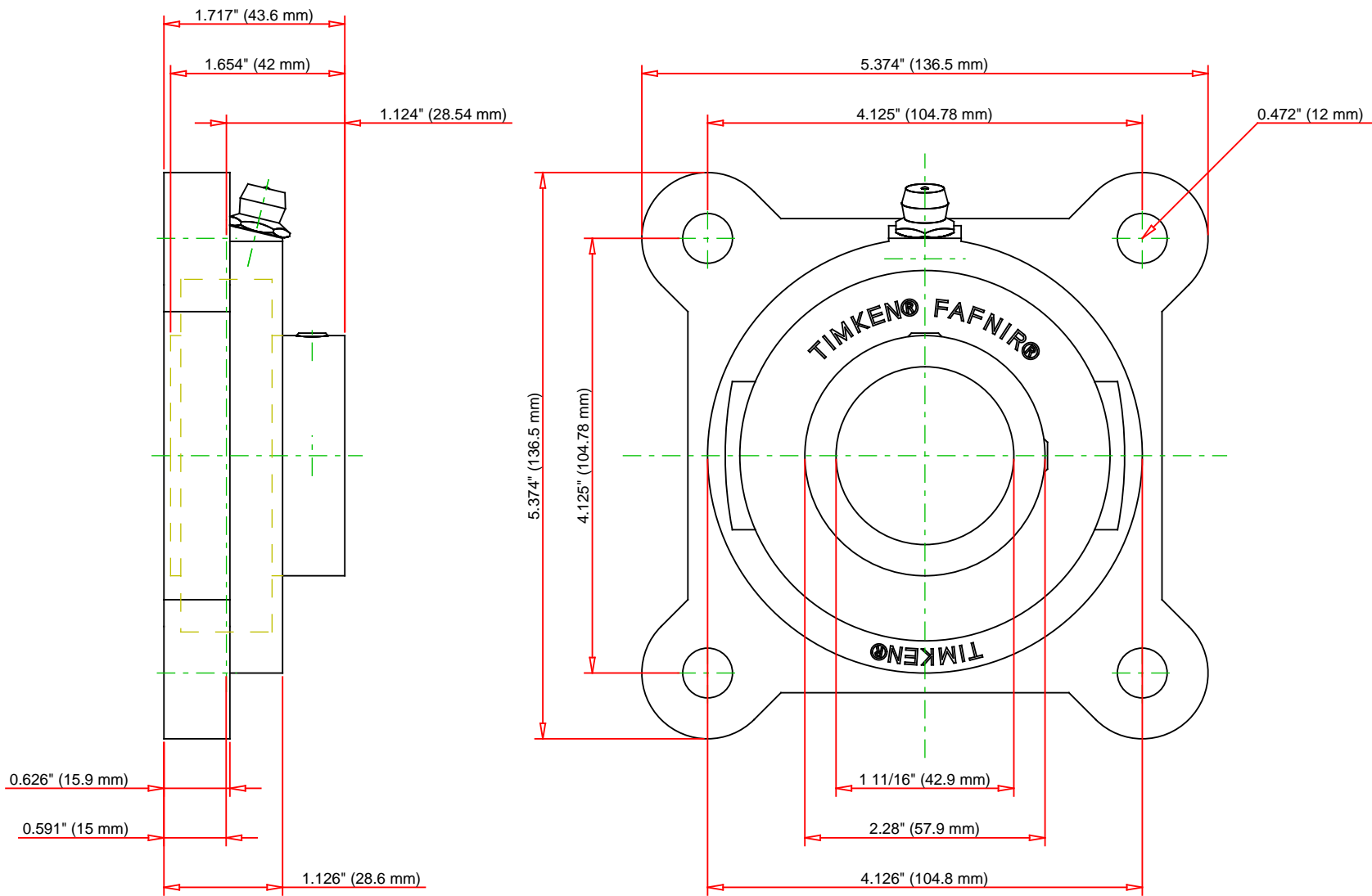
<b>Total Length L</b>	136.5 mm 5.374 in
<b>Housing Width A</b>	28.6 mm 1.126 in



<b>Bolt Hole Spacing</b>	104.78 mm 4 1/8 in
<b>Bolt Hole Size N</b>	12 mm 0.472 in
<b>Flange Thickness A1</b>	15.9 mm 0.626 in
<b>Center of Bearing from Housing End A2</b>	15 mm 0.591 in
<b>Inside Ring Width B</b>	42 mm 1.654 in
<b>Dimension S1</b>	28.54 mm 1.124 in
<b>Dimension D</b>	104.8 mm 4.126 in
<b>Dimension E</b>	43.6 mm 1.717 in
<b>Dimension F</b>	57.9 mm 2.28 in
<b>Bolt Size</b>	M12

## Basic Load Ratings

<b>Static Load Rating</b>	20500 N 4600 lbf
<b>Dynamic Load Rating</b>	36300 N 8160 lbf



Bearing Number	GYA111RRB			
Load Ratings - C <sub>r</sub>	8160	lbf	36300	N
Load Ratings - C <sub>0r</sub>	4600	lbf	20500	N
Weight	4.94	lb	2.24	kg
Bolt Size	M8x1.25			

**TIMKEN®**

THE TIMKEN COMPANY  
NORTH CANTON, OHIO USA

**SCJ1 11/16**  
Fafnir® Four-Bolt Flanged Mounted Bearings  
Setscrew Locking

Every reasonable effort has been made to ensure the accuracy of the information contained in this writing, but no liability is accepted for errors, omissions or for any other reason.

**FOR DISCUSSION ONLY**