



The Timken Company

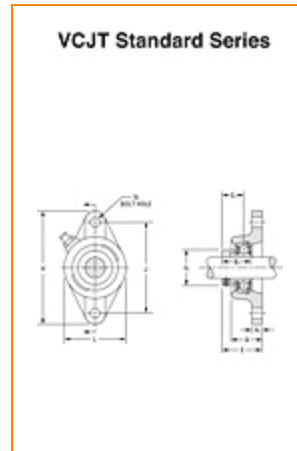
4500 Mt Pleasant St. NW

N. Canton, OH 44720

Phone: (234) 262-3000

E-Mail: CustomerCAD@timken.com • **Web site:** www.timken.com

Part Number VCJT 3/4, Fafnir® Two-Bolt Flanged Mounted Bearings Eccentric Locking Collar



[Specifications](#) | [Dimensions](#) | [Basic Load Ratings](#)

Specifications

Series	Standard
Shaft Size d	3/4 in
Bearing Type	Ball Bearing
Bearing Number	GRA012RRB
Seal Type	Molded Shroud
Housing Construction	Two-Bolt Flange
Alternate Part Name	VCJT3/4

Dimensions



Total Length H 111.9 mm
4.406 in

Total Height L 60.3 mm
2.374 in

Housing Width A 27.8 mm
1.094 in

Bolt Hole Spacing J 89.7 mm
3.531 in

Bolt Hole Size N 9.9 mm
0.39 in

Flange Thickness A1 11.1 mm
0.437 in

Dimension B1 31 mm
1.22 in

Dimension S1 23.51 mm
0.926 in

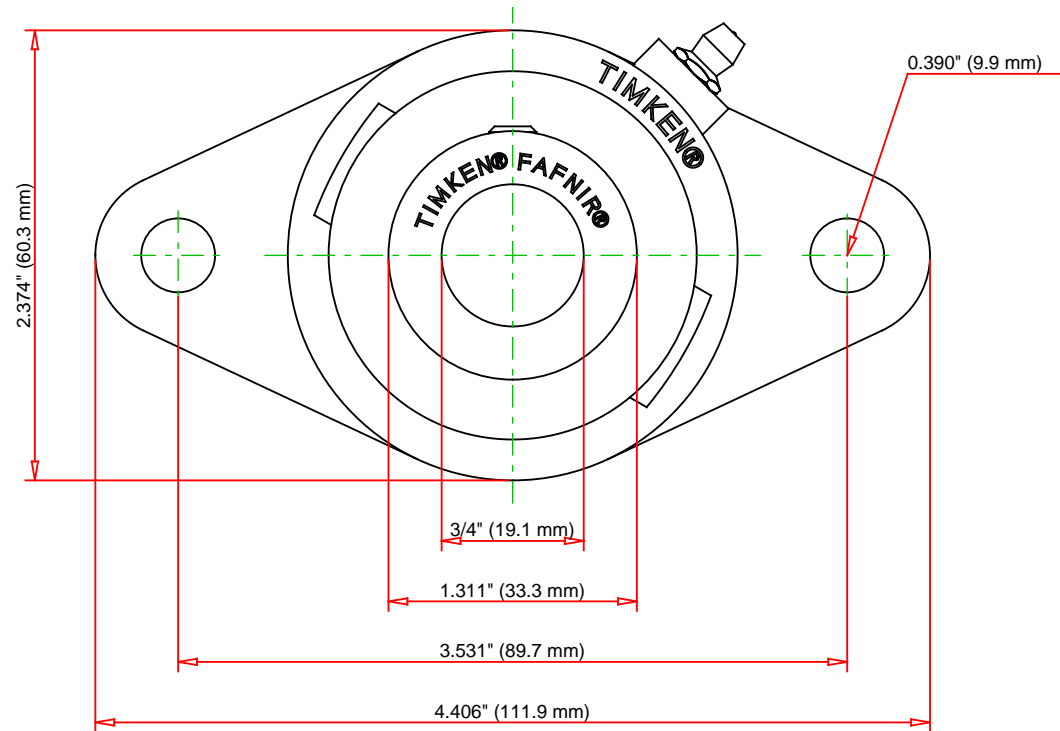
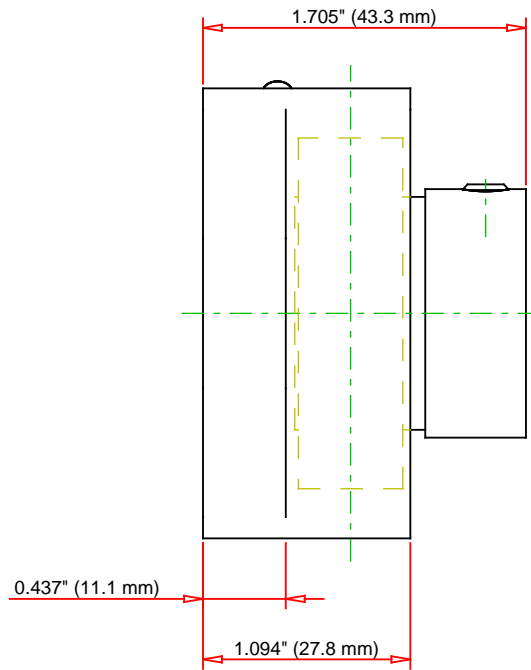
Dimension E 43.3 mm
1.705 in

Dimension d1 33.3 mm
1.311 in

Basic Load Ratings

Static Load Rating 6500 N
1460 lbf

Dynamic Load Rating 14200 N
3190 lbf



Bearing Number	GRA012RRB			
Load Ratings - C _r	3190	lbf	14200	N
Load Ratings - C _{0r}	1460	lbf	6500	N
Weight	1.142	lb	0.518	kg

TIMKEN®

THE TIMKEN COMPANY
NORTH CANTON, OHIO USA

VCJT 3/4

Fafnir® Two-Bolt Flanged Mounted Bearings
Eccentric Locking Collar

Every reasonable effort has been made to ensure the accuracy of the information contained in this writing, but no liability is accepted for errors, omissions or for any other reason.

FOR DISCUSSION ONLY