



The Timken Company

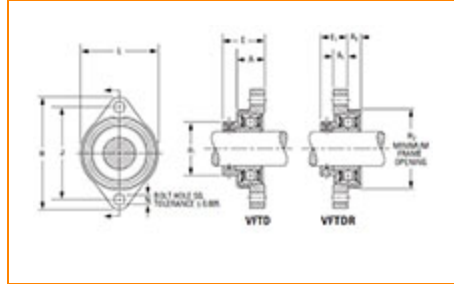
4500 Mt Pleasant St. NW

N. Canton, OH 44720

Phone: (234) 262-3000

E-Mail: CustomerCAD@timken.com • **Web site:** www.timken.com

Part Number VFTD1 1/4, Fafnir® Two-Bolt Flanged Mounted Bearings Eccentric Locking Collar



[Specifications](#) | [Dimensions](#) | [Basic Load Ratings](#)

Specifications

Series	Normal-Duty
Shaft Size d	1 1/4 in
Bearing Type	Ball Bearing
Bearing Number	GRA104RRB
Collar No.	S1104K
Seal Type	Molded Shroud
Housing Construction	Two-Bolt Flange

Dimensions



Total Length H 122.2 mm
4.813 in

Total Height L 88.9 mm
3.5 in

Housing Width A 23.8 mm
0.938 in

Bolt Hole Spacing J 100 mm
3.938 in

Bolt Hole Size N 10.3 mm
0.406 in

Flange Thickness A1 12.7 mm
0.5 in

Dimension B1 38.9 mm
1.531 in

Dimension S1 29.4 mm
1.157 in

Dimension E 42.1 mm
1.656 in

Dimension d1 54 mm
2.126 in

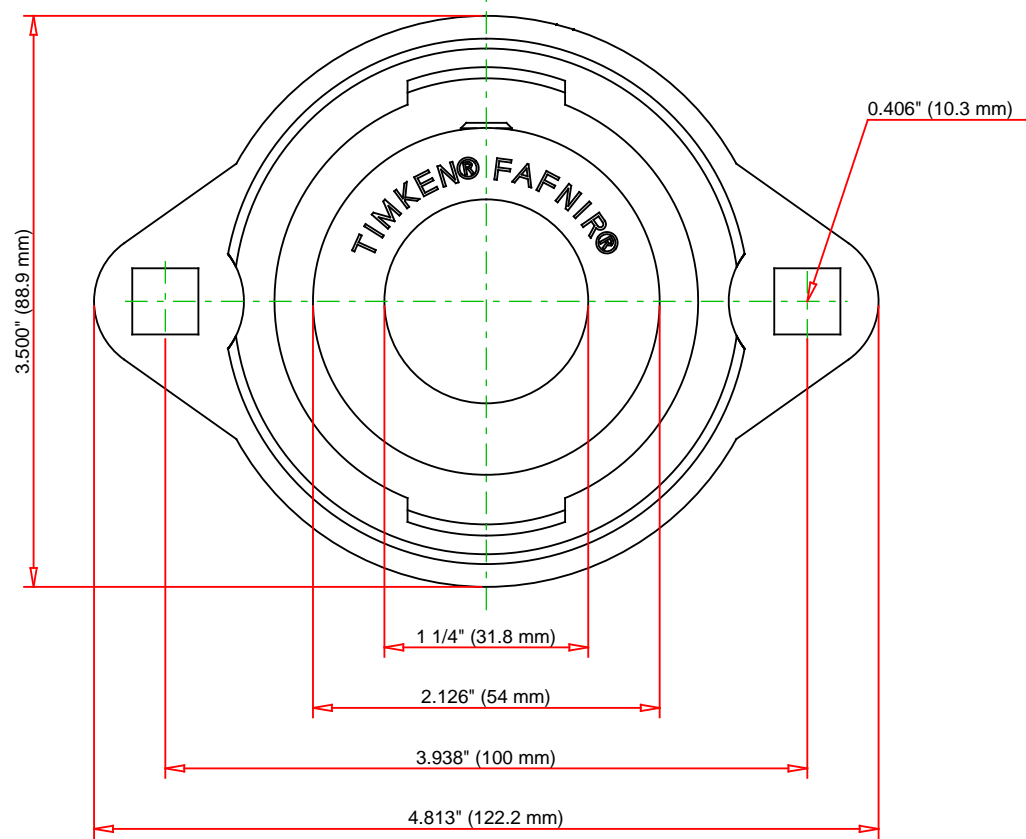
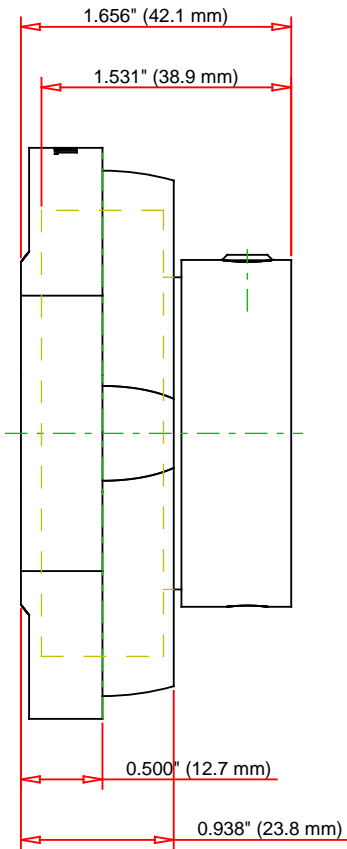
Dimension A3 11.1 mm
0.438 in

Dimension H2 81.8 mm
3.219 in

Basic Load Ratings

Static Load Rating 15300 N
3440 lbf

Dynamic Load Rating 28500 N
6400 lbf



Bearing Number	GRA104RRB			
Load Ratings - C _r	6400	lbf	28500	N
Load Ratings - C _{0r}	3440	lbf	15300	N
Weight	1.9	lb	0.862	kg

TIMKEN

THE TIMKEN COMPANY
 NORTH CANTON, OHIO USA

VFTD1 1/4
 Fafnir® Two-Bolt Flanged Mounted Bearings
 Eccentric Locking Collar

Every reasonable effort has been made to ensure the accuracy of the information contained in this writing, but no liability is accepted for errors, omissions or for any other reason.

FOR DISCUSSION ONLY