



The Timken Company

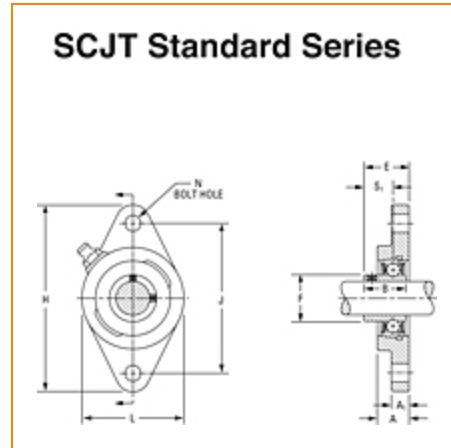
4500 Mt Pleasant St. NW

N. Canton, OH 44720

Phone: (234) 262-3000

E-Mail: CustomerCAD@timken.com • **Web site:** www.timken.com

Part Number SCJT 1/2, Fafnir® Two-Bolt Flanged Mounted Bearings Setscrew Locking



[Specifications](#) | [Dimensions](#) | [Basic Load Ratings](#)

Specifications

Series	Standard
Shaft Size d	0.5000 in
Bearing Type	Ball Bearing
Bearing Number	GYA008RRB
Seal Type	Narrow Shroud
Housing Construction	Two-Bolt Flange
Alternate Part Name	SCJT1/2

Dimensions

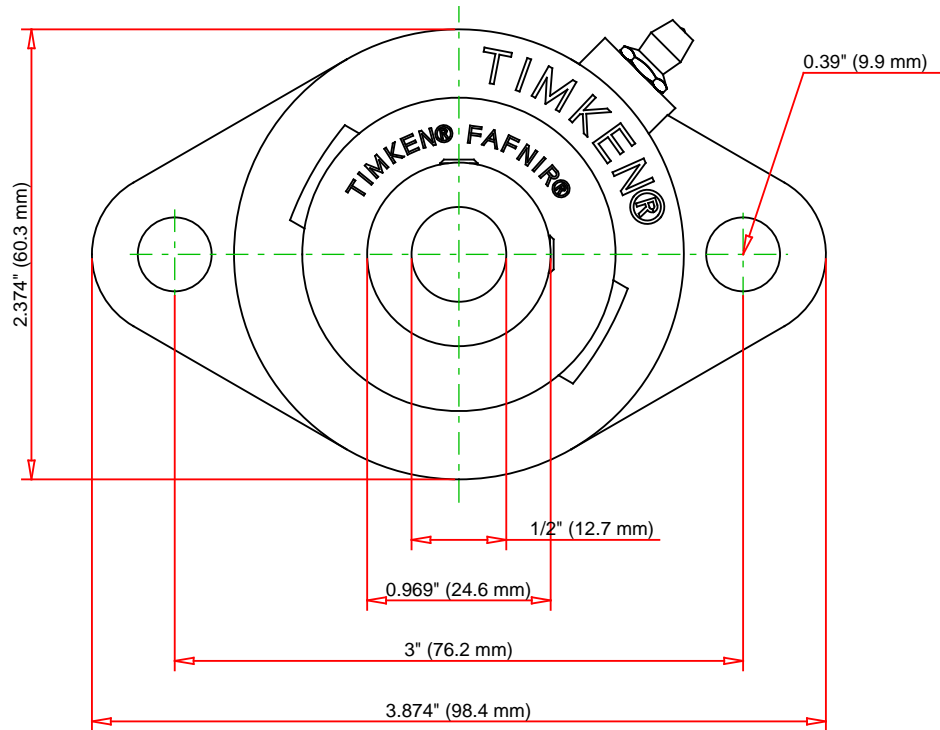
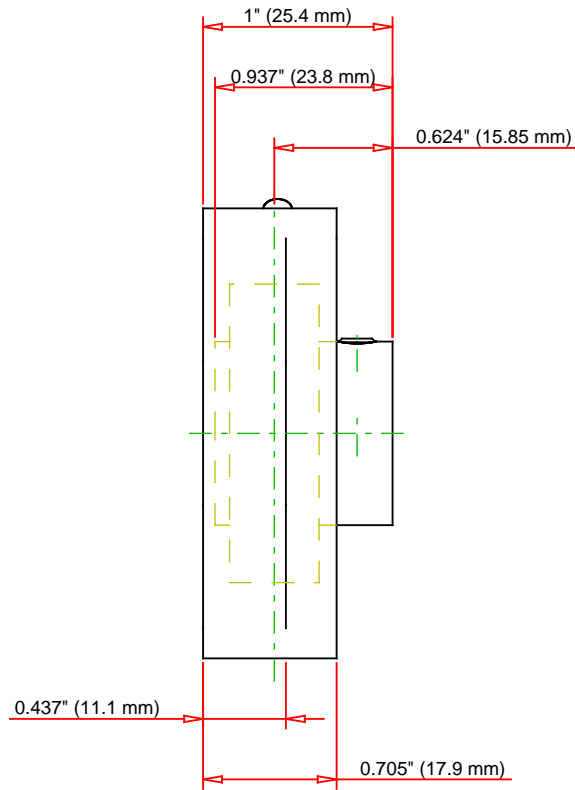


Total Length H	98.4 mm 3.874 in
-----------------------	---------------------

Total Height L	60.3 mm 2.374 in
Housing Width A	17.9 mm 0.705 in
Bolt Hole Spacing J	76.2 mm 3 in
Bolt Hole Size N	9.9 mm 0.39 in
Flange Thickness A1	11.1 mm 0.437 in
Inside Ring Width B	23.8 mm 0.9370 in
Dimension S1	15.85 mm 0.624 in
Dimension E	25.4 mm 1 in
Dimension F	24.6 mm 0.969 in

Basic Load Ratings

Static Load Rating	4700 N 1070 lbf
Dynamic Load Rating	10700 N 2380 lbf



Bearing Number	GYA008RRB			
Load Ratings - C _r	2380	lbf	10700	N
Load Ratings - C _{0r}	1070	lbf	4700	N
Weight	0.75	lb	0.34	kg
Bolt Size	M5x0.8			

TIMKEN

THE TIMKEN COMPANY
NORTH CANTON, OHIO USA

SCJT 1/2

Fafnir® Two-Bolt Flanged Mounted Bearings
Setscrew Locking

Every reasonable effort has been made to ensure the accuracy of the information contained in this writing, but no liability is accepted for errors, omissions or for any other reason.

FOR DISCUSSION ONLY