



The Timken Company

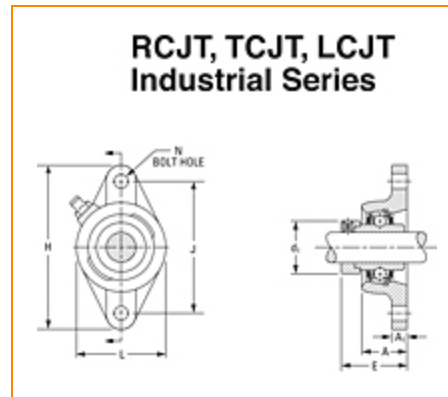
4500 Mt Pleasant St. NW

N. Canton, OH 44720

Phone: (234) 262-3000

E-Mail: CustomerCAD@timken.com • **Web site:** www.timken.com

Part Number RCJT1 1/8, Fafnir® Two-Bolt Flanged Mounted Bearings Eccentric Locking Collar



[Specifications](#) | [Dimensions](#) | [Basic Load Ratings](#)

Specifications

Series	Industrial
Shaft Size d	1 1/8 in
Bearing Type	Ball Bearing
Bearing Number	G1102KRRB
Seal Type	Shroud Seal
Housing Construction	Two-Bolt Flange
Alternate Part Name	RCJT1 1/8

Dimensions



Total Length H 141.3 mm
5.563 in

Total Height L 79.4 mm
3.126 in

Housing Width A 29.9 mm
1.177 in

Bolt Hole Spacing J 116.7 mm
4.594 in

Bolt Hole Size N 11.5 mm
0.453 in

Flange Thickness A1 11.9 mm
0.469 in

Dimension B1 48.4 mm
1.906 in

Dimension S1 30.1 mm
1.185 in

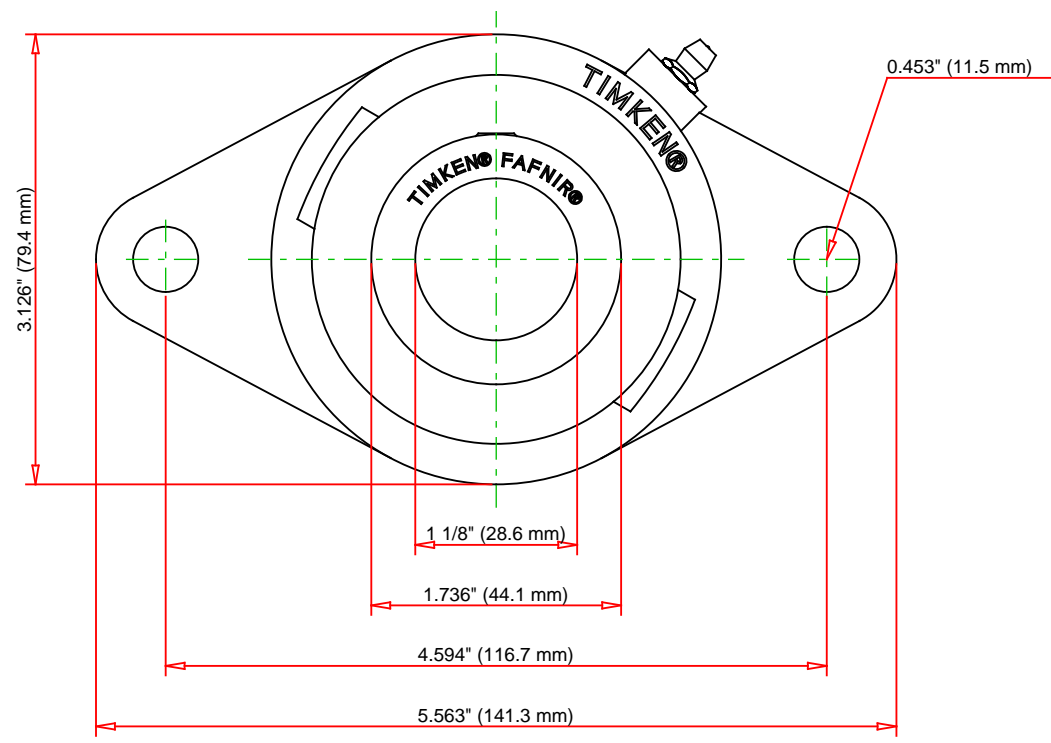
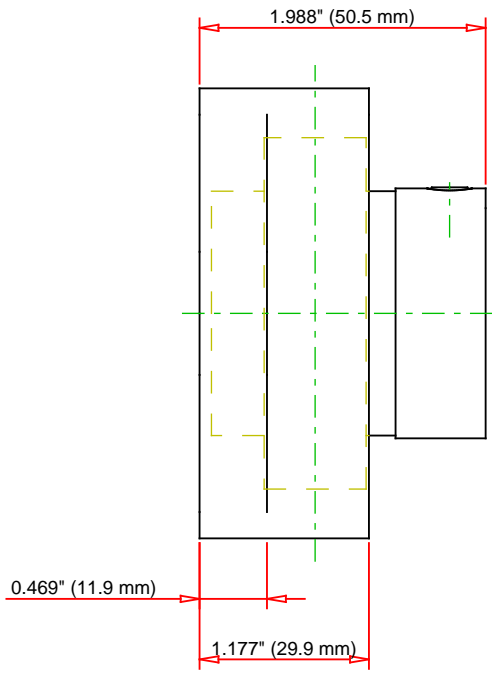
Dimension E 50.5 mm
1.988 in

Dimension d1 44.1 mm
1.736 in

Basic Load Ratings

Static Load Rating 11300 N
2530 lbf

Dynamic Load Rating 21600 N
4850 lbf



Bearing Number	G1102KRRB			
Load Ratings - C _r	4850	lbf	21600	N
Load Ratings - C _{0r}	2530	lbf	11300	N
Weight	2.403	lb	1.09	kg

TIMKEN
 THE TIMKEN COMPANY
 NORTH CANTON, OHIO USA

RCJT1 1/8
 Fafnir® Two-Bolt Flanged Mounted Bearings
 Eccentric Locking Collar

Every reasonable effort has been made to ensure the accuracy of the information contained in this writing, but no liability is accepted for errors, omissions or for any other reason.

FOR DISCUSSION ONLY