



The Timken Company

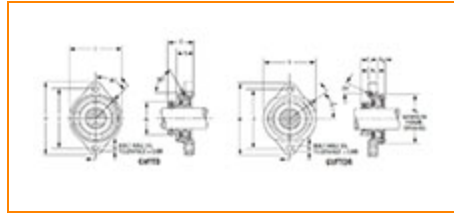
4500 Mt Pleasant St. NW

N. Canton, OH 44720

Phone: (234) 262-3000

E-Mail: CustomerCAD@timken.com • **Web site:** www.timken.com

Part Number GVFTD 7/8, Fafnir® Two-Bolt Flanged Mounted Bearings Eccentric Locking Collar



[Specifications](#) | [Dimensions](#) | [Basic Load Ratings](#)

Specifications

Series	Normal-Duty
Shaft Size d	7/8 in
Bearing Type	Ball Bearing
Bearing Number	GRA014RRB
Collar No.	S1014K
Seal Type	Molded Shroud
Housing Construction	Two-Bolt Flange

Dimensions



Total Length H 95.2 mm
3-3/4 in

Total Height L 66.7 mm
2.625 in

Housing Width A 19.8 mm
0.781 in

Bolt Hole Spacing J 76.2 mm
3 in

Bolt Hole Size N 8.7 mm
0.344 in

Flange Thickness A1 10.7 mm
0.422 in

Dimension B1 31 mm
1.22 in

Dimension S1 23.51 mm
0.926 in

Dimension E 34.1 mm
1.344 in

Dimension d1 38.1 mm
1.5 in

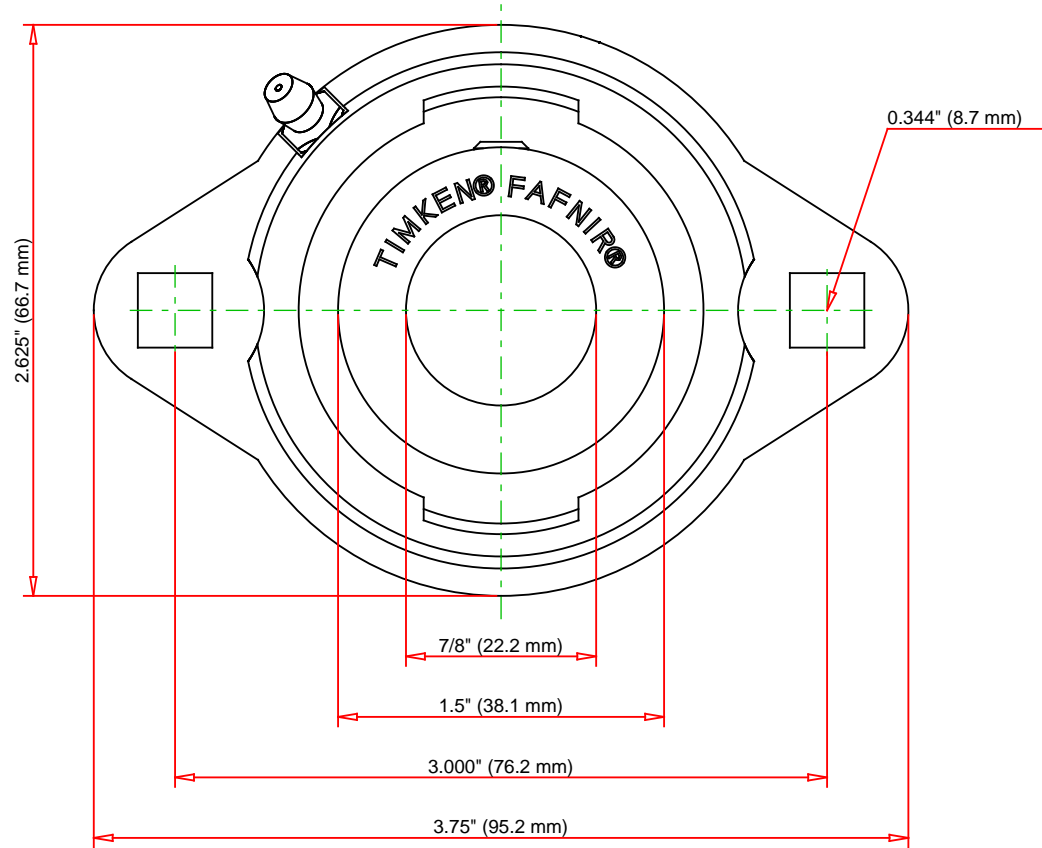
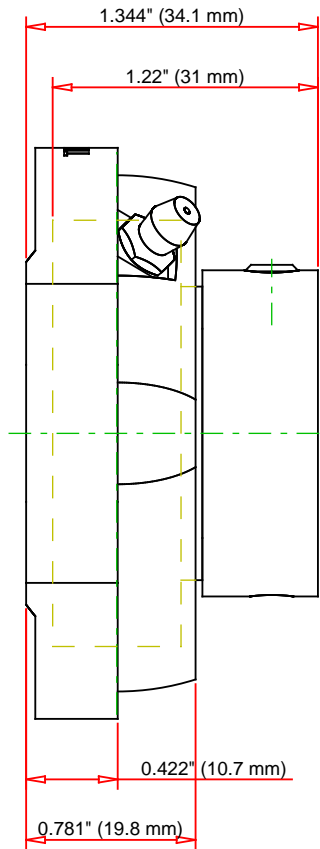
Dimension A3 9.1 mm
0.359 in

Dimension H2 60.3 mm
2.375 in

Basic Load Ratings

Static Load Rating 7800 N
1750 lbf

Dynamic Load Rating 15500 N
3490 lbf



Bearing Number	GRA014RRB			
Load Ratings - C _r	3490	lbf	15500	N
Load Ratings - C _{0r}	1750	lbf	7800	N
Weight	0.8	lb	0.363	kg

TIMKEN

THE TIMKEN COMPANY
 NORTH CANTON, OHIO USA

GVFTD 7/8
 Fafnir® Two-Bolt Flanged Mounted Bearings
 Eccentric Locking Collar

Every reasonable effort has been made to ensure the accuracy of the information contained in this writing, but no liability is accepted for errors, omissions or for any other reason.

FOR DISCUSSION ONLY