



The Timken Company

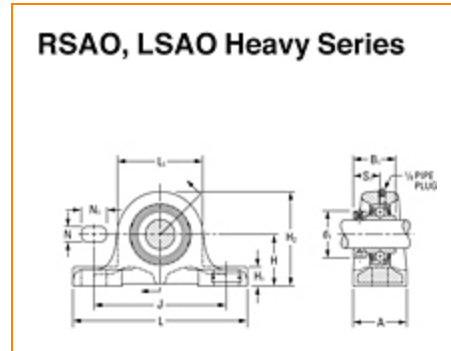
4500 Mt Pleasant St. NW

N. Canton, OH 44720

Phone: (234) 262-3000

E-Mail: CustomerCAD@timken.com • **Web site:** www.timken.com

Part Number RSAO2, Fafnir® Pillow Block Mounted Bearings Eccentric Locking Collar



[Specifications](#) | [Dimensions](#) | [Basic Load Ratings](#)

Specifications

Series	Medium-Duty
Shaft Size d	2 in
Bearing Type	Ball Bearing
Bearing Number	GN200KRRB
Seal Type	Shroud Seal
Housing Construction	Two-Bolt Pillow Block
Alternate Part Name	RSAO2

Dimensions

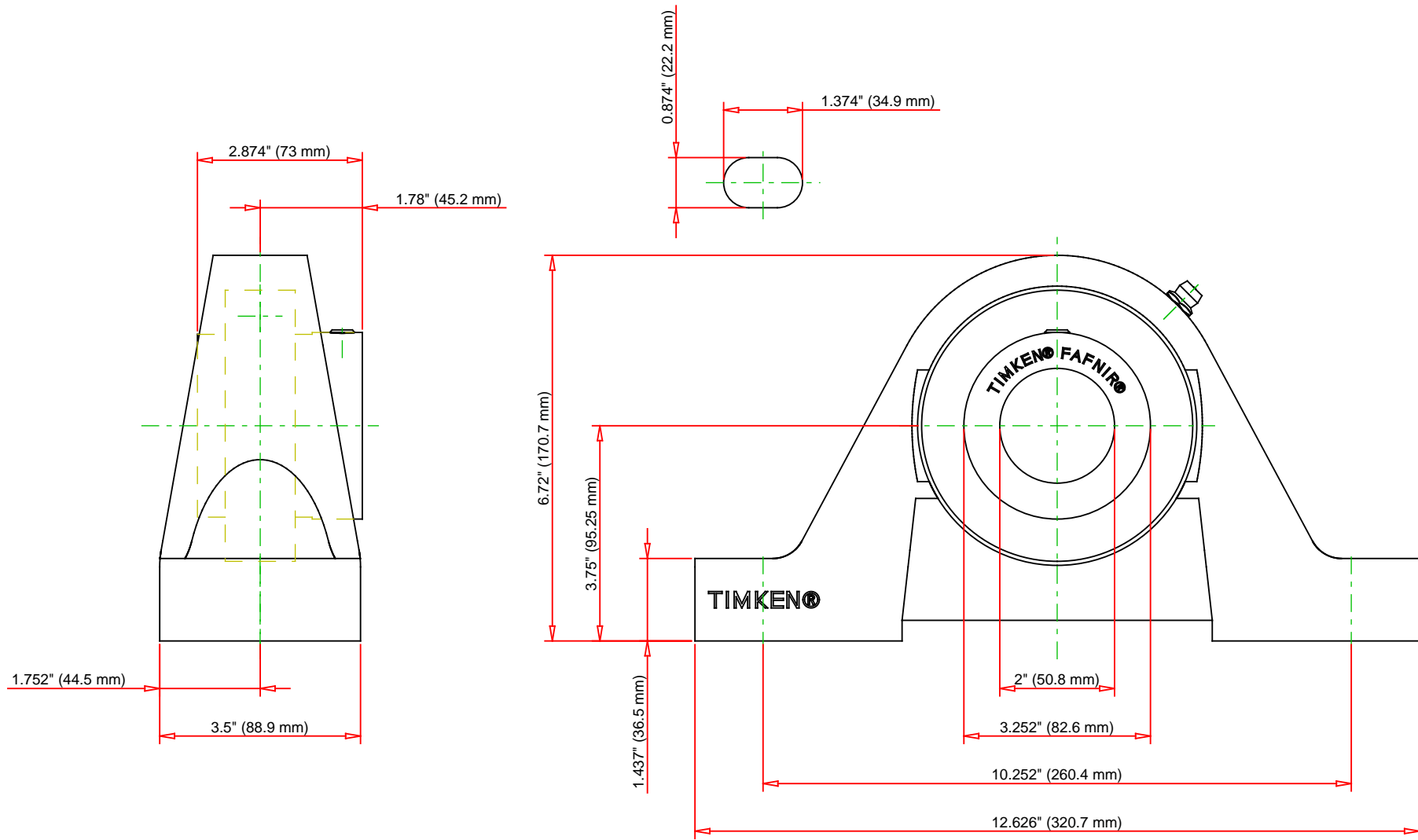
Base to Center Height H	95.25 mm 3-3/4 in
Total Length L	320.7 mm 12.626 in



Total Width A	88.900 mm 3.5000 in
Bolt Hole Spacing J	260.4 mm 10.252 in
Bolt Hole Width N	22.2 mm 0.874 in
Bolt Hole Length N1	34.9 mm 1.374 in
Foot Height H1	36.5 mm
Total Height H2	170.7 mm 6.72 in
Dimension d1	82.6 mm 3.252 in
Dimension B1	73 mm 2.874 in
Dimension S1	45.2 mm 1.78 in
Dimension T	44.5 mm 1.752 in

Basic Load Ratings

Static Load Rating	44600 N 10000 lbf
Dynamic Load Rating	79300 N 17800 lbf



Bearing Number	GN200KRRB			
Load Ratings - C _r	17800	lbf	79300	N
Load Ratings - C _{0r}	10000	lbf	44600	N
Weight	22.47	lb	10.192	kg

TIMKEN[®]

THE TIMKEN COMPANY
NORTH CANTON, OHIO USA

RSAO2

Fafnir[®] Pillow Block Mounted Bearings Eccentric Locking Collar

Every reasonable effort has been made to ensure the accuracy of the information contained in this writing, but no liability is accepted for errors, omissions or for any other reason.

FOR DISCUSSION ONLY