



**The Timken Company**

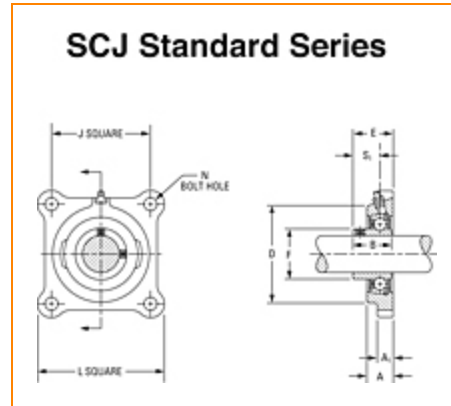
4500 Mt Pleasant St. NW

N. Canton, OH 44720

Phone: (234) 262-3000

E-Mail: [CustomerCAD@timken.com](mailto:CustomerCAD@timken.com) • Web site: [www.timken.com](http://www.timken.com)

## Part Number SCJ1 3/8, Fafnir® Four-Bolt Flanged Mounted Bearings Setscrew Locking



[Specifications](#) | [Dimensions](#) | [Basic Load Ratings](#)

### Specifications

<b>Series</b>	Standard
<b>Shaft Size d</b>	1 3/8 in
<b>Bearing Number</b>	GYA106RRB
<b>Seal Type</b>	Molded Shroud
<b>Housing Construction</b>	Four-Bolt Square Flange
<b>Alternate Part Name</b>	SCJ13/8

### Dimensions

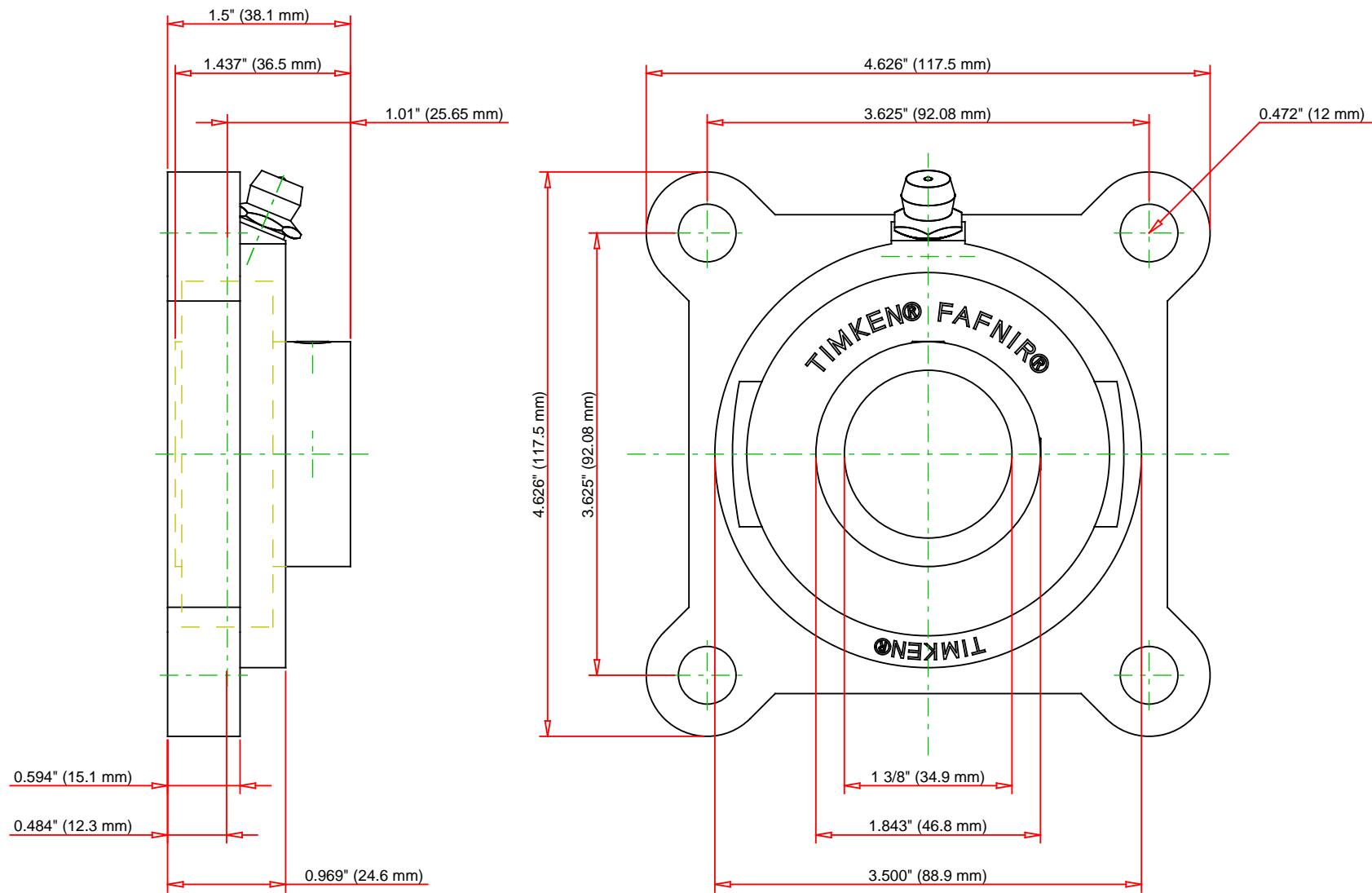
<b>Total Length L</b>	117.5 mm 4.626 in
<b>Housing Width A</b>	24.6 mm 0.969 in



<b>Bolt Hole Spacing</b>	92.08 mm 3.625 in
<b>Bolt Hole Size N</b>	12 mm 0.472 in
<b>Flange Thickness A1</b>	15.1 mm 0.594 in
<b>Center of Bearing from Housing End A2</b>	12.3 mm 0.484 in
<b>Inside Ring Width B</b>	36.5 mm 1.4370 in
<b>Dimension S1</b>	25.65 mm 1.01 in
<b>Dimension D</b>	88.900 mm 3 1/2 in
<b>Dimension E</b>	38.1 mm 1.5 in
<b>Dimension F</b>	46.8 mm 1.8430 in
<b>Bolt Size</b>	M12

## Basic Load Ratings

<b>Static Load Rating</b>	15300 N 3440 lbf
<b>Dynamic Load Rating</b>	28500 N 6400 lbf



Bearing Number	GYA106RRB			
Load Ratings - C <sub>r</sub>	6400	lbf	28500	N
Load Ratings - C <sub>0r</sub>	3440	lbf	15300	N
Weight	2.98	lb	1.35	kg
Bolt Size	M8x1.25			

**TIMKEN®**

THE TIMKEN COMPANY  
NORTH CANTON, OHIO USA

**SCJ1 3/8**

Fafnir® Four-Bolt Flanged Mounted Bearings  
Setscrew Locking

Every reasonable effort has been made to ensure the accuracy of the information contained in this writing, but no liability is accepted for errors, omissions or for any other reason.

**FOR DISCUSSION ONLY**