



**The Timken Company**

4500 Mt Pleasant St. NW

N. Canton, OH 44720

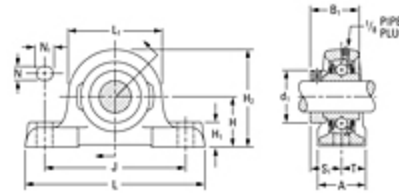
**Phone:** (234) 262-3000

**E-Mail:** [CustomerCAD@timken.com](mailto:CustomerCAD@timken.com) • **Web site:** [www.timken.com](http://www.timken.com)

## Part Number RAO1 11/16, Fafnir® Pillow Block Mounted Bearings Eccentric Locking Collar



**RAO, LAO Heavy Series**




[Specifications](#) | [Dimensions](#) | [Basic Load Ratings](#)

### Specifications

<b>Series</b>	Medium-Duty
<b>Shaft Size d</b>	1 11/16 in
<b>Bearing Type</b>	Ball Bearing
<b>Bearing Number</b>	GN111KRRB
<b>Seal Type</b>	Shroud Seal
<b>Housing Construction</b>	Two-Bolt Pillow Block
<b>Alternate Part Name</b>	RAO1 11/16

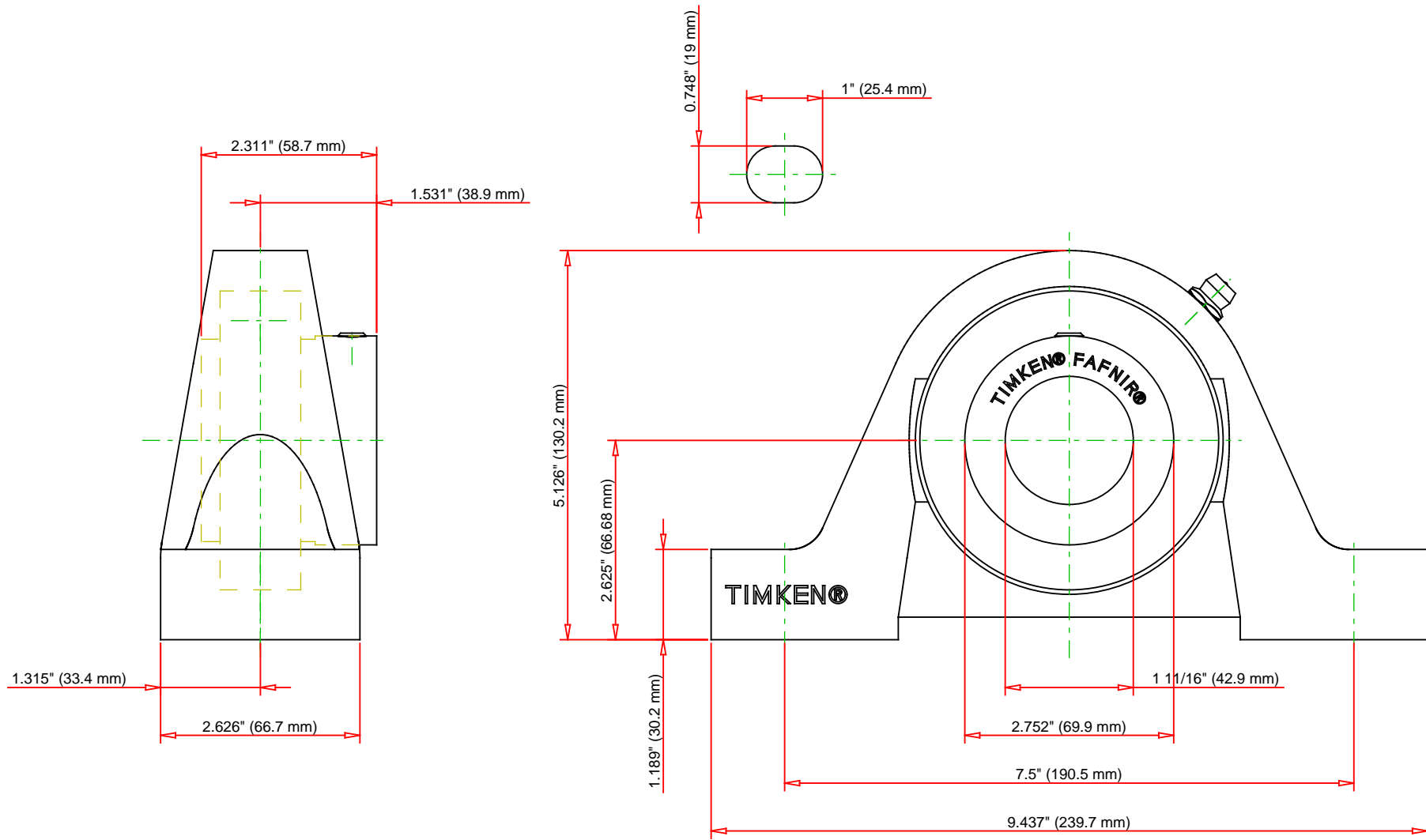
### Dimensions

<b>Base to Center Height H</b>	66.68 mm 2.625 in
 <b>Total Length L</b>	239.7 mm 9.437 in

<b>Total Width A</b>	66.7 mm 2.626 in
<b>Bolt Hole Spacing J</b>	190.5 mm 7.5 in
<b>Bolt Hole Width N</b>	19 mm 0.748 in
<b>Bolt Hole Length N1</b>	25.4 mm 1 in
<b>Foot Height H1</b>	30.2 mm
<b>Total Height H2</b>	130.2 mm 5.126 in
<b>Dimension d1</b>	69.9 mm 2.752 in
<b>Dimension B1</b>	58.7 mm 2.3110 in
<b>Dimension S1</b>	38.9 mm 1.531 in
<b>Dimension T</b>	33.4 mm 1.315 in

## Basic Load Ratings

<b>Static Load Rating</b>	31700 N 7120 lbf
<b>Dynamic Load Rating</b>	58500 N 13200 lbf



Bearing Number	GN111KRRB			
Load Ratings - C <sub>r</sub>	13200	lbf	58500	N
Load Ratings - C <sub>0r</sub>	7120	lbf	31700	N
Weight	11.089	lb	5.03	kg

**TIMKEN**  
 THE TIMKEN COMPANY  
 NORTH CANTON, OHIO USA

**RAO1 11/16**  
 Fafnir® Pillow Block Mounted Bearings Eccentric  
 Locking Collar

Every reasonable effort has been made to ensure the accuracy of the information contained in this writing, but no liability is accepted for errors, omissions or for any other reason.

**FOR DISCUSSION ONLY**