



**The Timken Company**

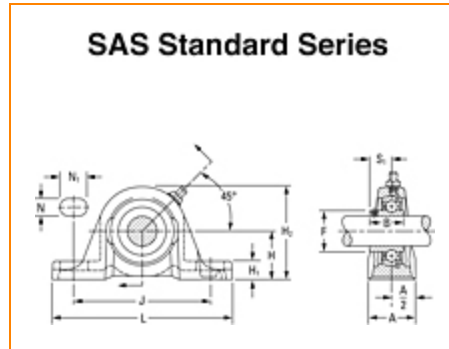
4500 Mt Pleasant St. NW

N. Canton, OH 44720

**Phone:** (234) 262-3000

**E-Mail:** [CustomerCAD@timken.com](mailto:CustomerCAD@timken.com) • **Web site:** [www.timken.com](http://www.timken.com)

## Part Number SAS 15/16, Fafnir® Pillow Block Mounted Bearings Setscrew Locking



[Specifications](#) | [Dimensions](#) | [Basic Load Ratings](#)

### Specifications

<b>Series</b>	Standard
<b>Shaft Size d</b>	15/16 in
<b>Bearing Type</b>	Ball Bearing
<b>Bearing Number</b>	GYA015RRB
<b>Seal Type</b>	Narrow Shroud
<b>Housing Construction</b>	Two-Bolt Pillow Block
<b>Alternate Part Name</b>	SAS15/16

### Dimensions

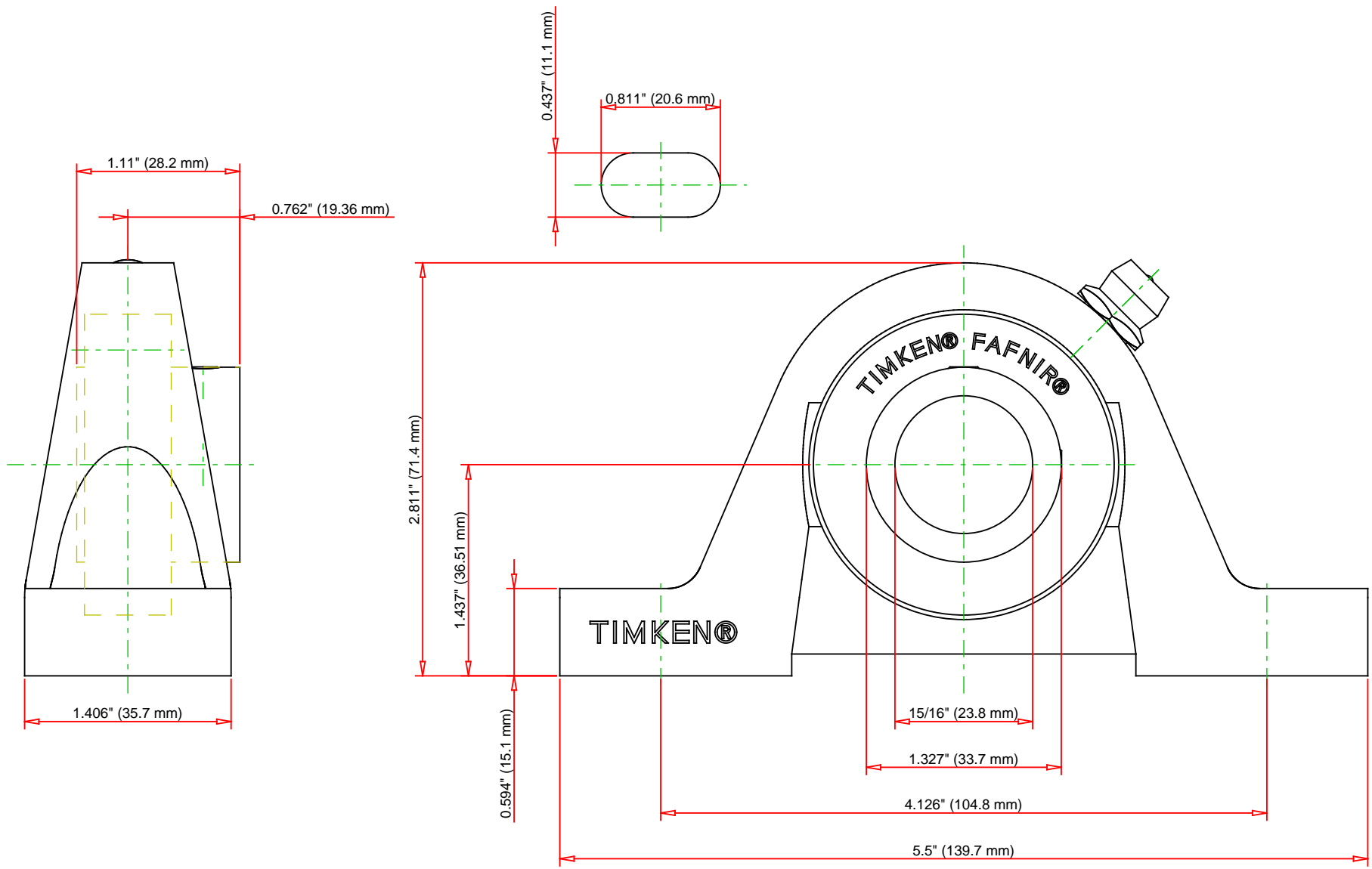
<b>Base to Center Height H</b>	36.51 mm 1.437 in
<b>Total Length L</b>	139.7 mm 5.5 in



<b>Total Width A</b>	35.7 mm 1.406 in
<b>Bolt Hole Spacing J</b>	104.8 mm 4.126 in
<b>Bolt Hole Width N</b>	11.1 mm 0.437 in
<b>Bolt Hole Length N1</b>	20.6 mm 0.811 in
<b>Foot Height H1</b>	15.1 mm
<b>Total Height H2</b>	71.4 mm 2.811 in
<b>Inside Ring Width B</b>	28.2 mm 1.11 in
<b>Dimension S1</b>	19.36 mm 0.762 in
<b>Dimension F</b>	33.7 mm 1.327 in

## Basic Load Ratings

<b>Static Load Rating</b>	7800 N 1750 lbf
<b>Dynamic Load Rating</b>	15500 N 3490 lbf



Bearing Number	GYA015RRB			
Load Ratings - $C_r$	3490	lbf	15500	N
Load Ratings - $C_{0r}$	1750	lbf	7800	N
Weight	1.653	lb	0.75	kg
Bolt Size	M6x1			

**TIMKEN**  
 THE TIMKEN COMPANY  
 NORTH CANTON, OHIO USA

**SAS 15/16**  
 Fafnir® Pillow Block Mounted Bearings Setscrew Locking

Every reasonable effort has been made to ensure the accuracy of the information contained in this writing, but no liability is accepted for errors, omissions or for any other reason.

**FOR DISCUSSION ONLY**