


The Timken Company

4500 Mt Pleasant St. NW

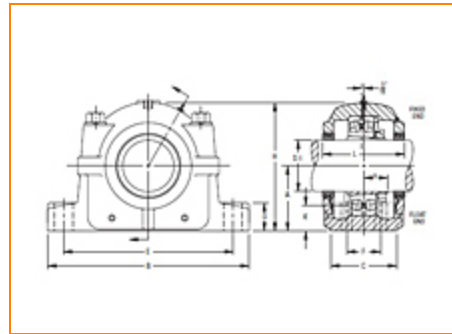
N. Canton, OH 44720

Phone: (234) 262-3000

E-Mail: CustomerCAD@timken.com • **Web site:** www.timken.com

Part Number SAF 22536 6-1/2, Inch Tapered Bore Mounting Pillow Block SAF225 and SAF226 Series

- The basic number for ordering complete pillow block assemblies is listed in the table below.
- Each assembly includes the housing cap and base, cap bolts, bearing, bearing adapter, locknut and lockwasher, stabilizing ring, and triple ring seals.
- If only the pillow block housing is desired, use the numbers listed in column headed "Housing Only". These units include: cap, base, cap bolts, triple ring seals and stabilizing ring.
- All assemblies and housings described on this page constitute fixed

[more](#)

[Specifications](#) | [Basic Load Ratings](#) | [Factors](#)

Specifications

Bearing Number	22236K
Diameter S-1	6 1/2 in
A	7-1/2 in
B	26.75 in



	7-1/8 in
D	3 in
E Max.	23.625 in
E Min.	20.875 in
F	4-5/8 in
H	15.5 in
L	9.688 in
Bolt Hole Length	2.375 in
Bolt Hole Width	1 in
Adapter Assembly Number¹	SNW-36 x 6-1/2
Housing Only²	SAF536 x 6-1/2
Stabilizing Ring 1 Req'd³	SR-36-30
Triple Seal 2 Req'd	LOR 149
Seal Type	Triple Ring Seal
Full Timken Part Number	SAF225366-1/2

Basic Load Ratings

C0 - Static Radial Rating 382000 lbf
1700000 N

**C1(2) - Dynamic Radial Rating
(Two-Rows)** 301000 lbf
1340000 N

Factors

e - ISO Factor⁴ 0.25

Y0 - ISO Factor⁵	2.66
Y1 - ISO Factor⁶	2.72
Y2 - ISO Factor⁷	4.05
Reference Thermal Speed Rating (Grease)	1600 rpm
Reference Thermal Speed Rating (Oil)⁸	1900 rpm
Cg - Geometry Factor⁹	0.0937

¹ Includes sleeve, locknut and lockwasher. Add shaft size to order.

² "Housing Only" includes: cap, base, cap bolts, triple ring seals and stabilizing ring as required. When ordering non-standard housing only specify the shaft size.

³ Stabilizing ring is used for fixed (FX) block; do not use for float (FL) mounting.

⁴ These factors apply for both inch and metric calculations. Consult your Timken representative for instruction on use.

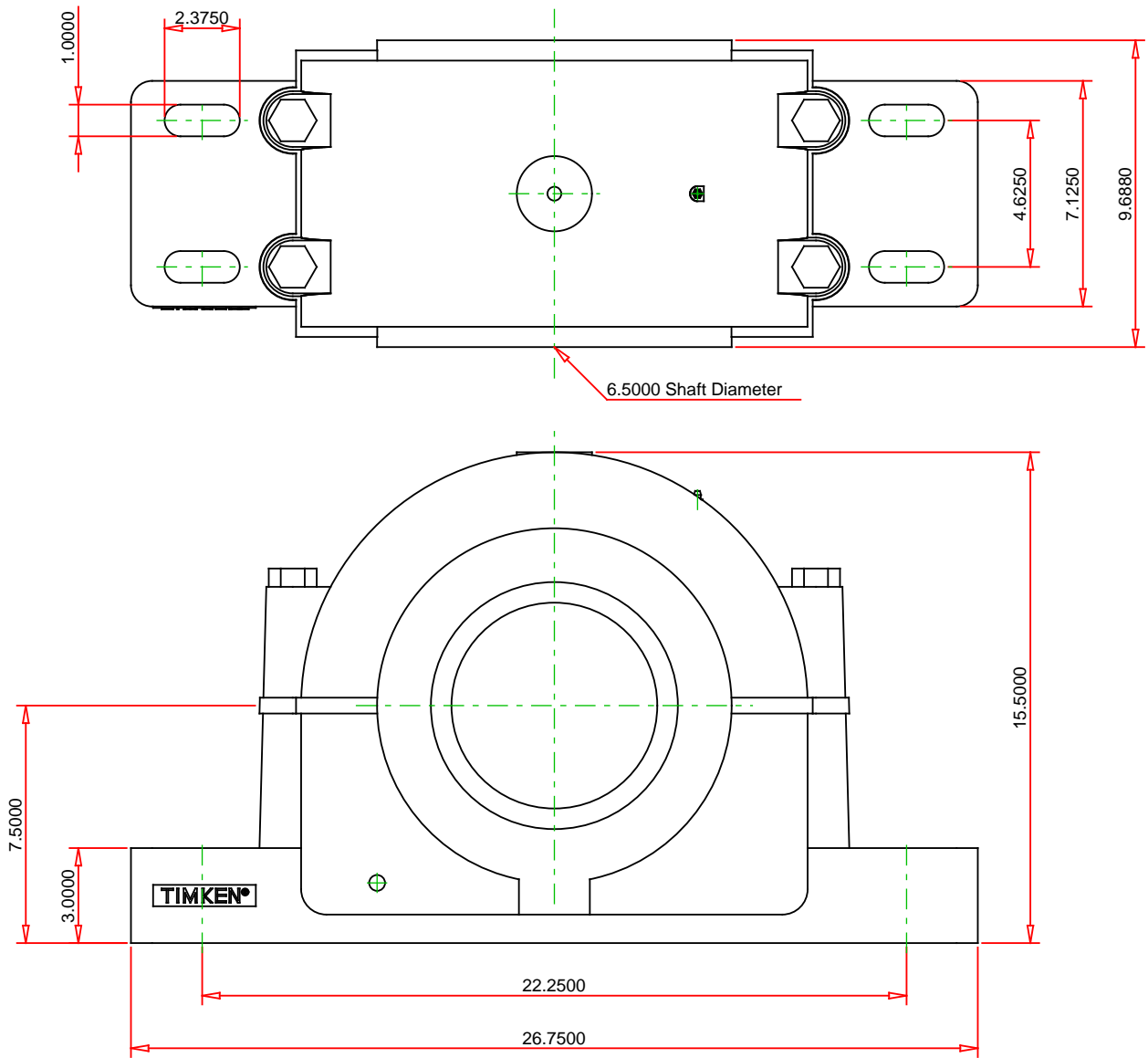
⁵ These factors apply for both inch and metric calculations. See engineering

⁶ These factors apply for both inch and metric calculations. Consult your Timken representative for instruction on use.

⁷ These factors apply for both inch and metric calculations. Consult your Timken representative for instruction on use.

⁸ See thermal speed ratings in the engineering section.

⁹ Geometry constant for Lubrication Life Adjustment Factor a3l.



IMPERIAL UNITS

Housing SAF536 x 6-1/2
 Bearing 22236K
 Seal Type LOR 149
 Adapter Sleeve SNW-36 x 6-1/2
 (includes 1 sleeve, 1 locknut and 1 lockwasher)
 Stabilizing Ring SR-36-30
 Bolt Hole Spacing Max. 23.6250
 Bolt Hole Spacing Min. 20.8750



THE TIMKEN COMPANY
 NORTH CANTON, OHIO USA

SAF 22536 6-1/2
 PILLOW BLOCK SAF225 AND SAF226

Every reasonable effort has been made to ensure the accuracy of the information contained in this writing, but no liability is accepted for errors, omissions or for any other reason.

FOR DISCUSSION ONLY