


The Timken Company

4500 Mt Pleasant St. NW

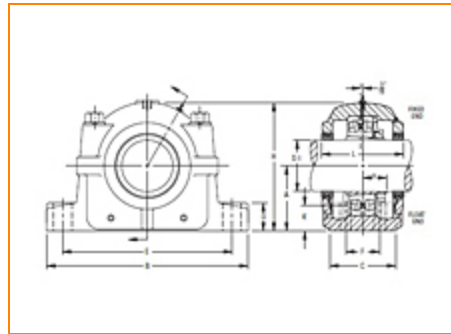
N. Canton, OH 44720

Phone: (234) 262-3000

E-Mail: CustomerCAD@timken.com • **Web site:** www.timken.com

Part Number SAF 22634 5-7/8, Inch Tapered Bore Mounting Pillow Block SAF225 and SAF226 Series

- The basic number for ordering complete pillow block assemblies is listed in the table below.
- Each assembly includes the housing cap and base, cap bolts, bearing, bearing adapter, locknut and lockwasher, stabilizing ring, and triple ring seals.
- If only the pillow block housing is desired, use the numbers listed in column headed "Housing Only". These units include: cap, base, cap bolts, triple ring seals and stabilizing ring.
- All assemblies and housings described on this page constitute fixed

[more](#)

[Specifications](#) | [Basic Load Ratings](#) | [Factors](#)

Specifications

Bearing Number	22334K
Diameter S-1	5.8750 in
A	8-1/4 in
B	29.5 in



	8 in
D	3.375 in
E Max.	25 in
E Min.	22.5 in
F	5 in
H	17.1875 in
L	10.813 in
Bolt Hole Length	2.5 in
Bolt Hole Width	1.25 in
Adapter Assembly Number¹	SNW-134 x 5-7/8
Housing Only²	SAF634 x 5-7/8
Stabilizing Ring 1 Req'd³	SR-40-34
Triple Seal 2 Req'd	LOR 139
Seal Type	Triple Ring Seal
Full Timken Part Number	SAF226345-7/8

Basic Load Ratings

C0 - Static Radial Rating	530000 lbf 2360000 N
C1(2) - Dynamic Radial Rating (Two-Rows)	450000 lbf 2000000 N

Factors

e - ISO Factor⁴	0.32
-----------------------------------	------

Y0 - ISO Factor⁵	2.07
Y1 - ISO Factor⁶	2.11
Y2 - ISO Factor⁷	3.15
Reference Thermal Speed Rating (Grease)	1200 rpm
Reference Thermal Speed Rating (Oil)⁸	1400 rpm
Cg - Geometry Factor⁹	0.0955

¹ Includes sleeve, locknut and lockwasher. Add shaft size to order.

² "Housing Only" includes: cap, base, cap bolts, triple ring seals and stabilizing ring as required. When ordering non-standard housing only specify the shaft size.

³ Stabilizing ring is used for fixed (FX) block; do not use for float (FL) mounting.

⁴ These factors apply for both inch and metric calculations. Consult your Timken representative for instruction on use.

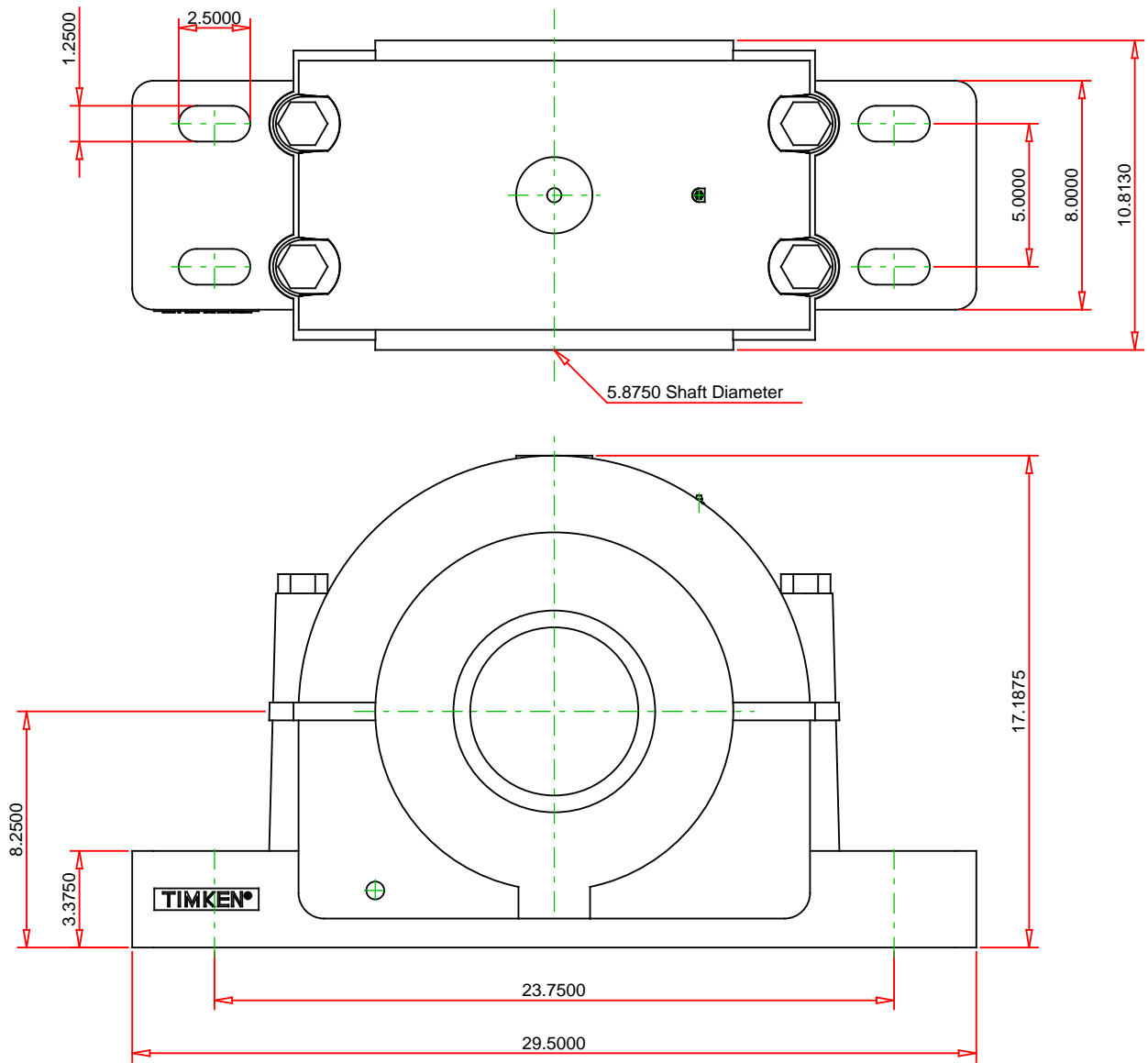
⁵ These factors apply for both inch and metric calculations. See engineering

⁶ These factors apply for both inch and metric calculations. Consult your Timken representative for instruction on use.

⁷ These factors apply for both inch and metric calculations. Consult your Timken representative for instruction on use.

⁸ See thermal speed ratings in the engineering section.

⁹ Geometry constant for Lubrication Life Adjustment Factor a3l.



IMPERIAL UNITS

Housing SAF634 x 5-7/8
 Bearing 22334K
 Seal Type LOR 139
 Adapter Sleeve SNW-134 x 5-7/8
 (includes 1 sleeve, 1 locknut and 1 lockwasher)
 Stabilizing Ring SR-40-34
 Bolt Hole Spacing Max. 25.0000
 Bolt Hole Spacing Min. 22.5000

TIMKEN®

THE TIMKEN COMPANY
 NORTH CANTON, OHIO USA

SAF 22634 5-7/8
 PILLOW BLOCK SAF225 AND SAF226

Every reasonable effort has been made to ensure the accuracy of the information contained in this writing, but no liability is accepted for errors, omissions or for any other reason.

FOR DISCUSSION ONLY