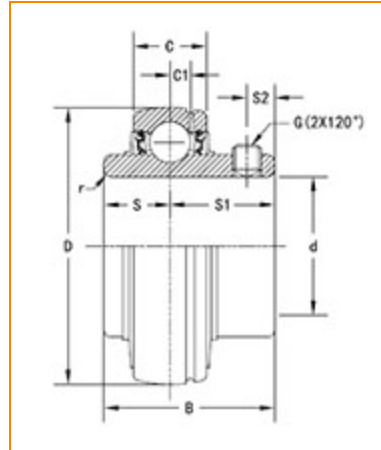


**TIMKEN****The Timken Company**

4500 Mt Pleasant St. NW

N. Canton, OH 44720

**Phone:** (234) 262-3000**E-Mail:** [CustomerCAD@timken.com](mailto:CustomerCAD@timken.com) • **Web site:** [www.timken.com](http://www.timken.com)**Part Number UC203, UC 200 Wide Inner Ring Ball Bearings - Set Screw Locking**
[Specifications](#) | [Dimensions](#) | [Basic Load Ratings](#)
**Specifications**

<b>Bore Type</b>	Cylindrical bore
<b>Bearing Type</b>	Ball Bearing
<b>Shaft Size d</b>	17 mm
<b>Locking Device</b>	Set Screw Locking

**Dimensions**

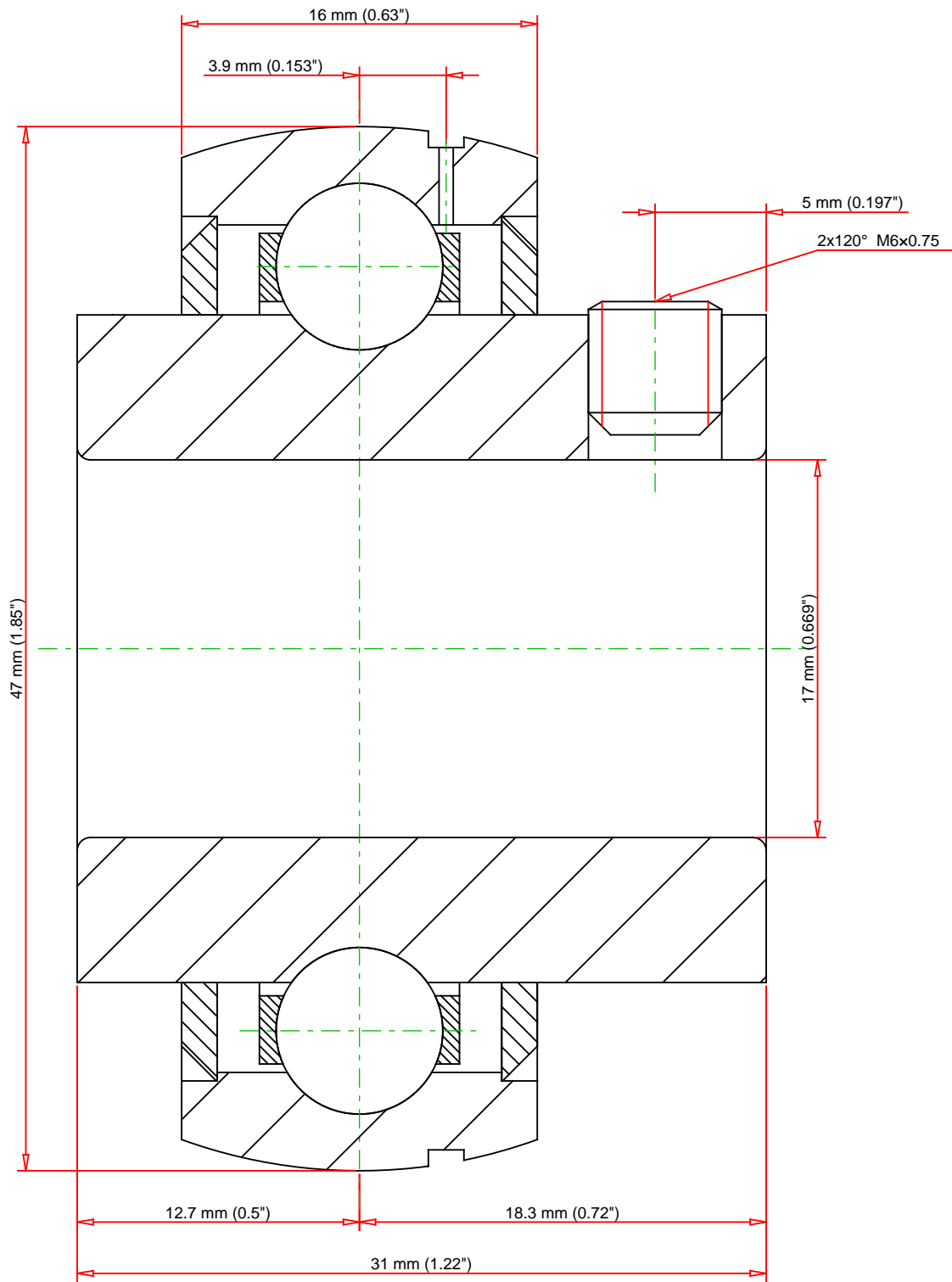
<b>Outside Diameter D</b>	47 mm 1.85 in
<b>Outside Ring Width C</b>	16 mm 0.630 in
<b>Radius r</b>	0.6 mm 0.024 in



<b>Groove Position C1</b>	3.9 mm 0.153 in
<b>Center of Bearing from End S</b>	12.7 mm 0.5 in
<b>Dimension S1</b>	18.3 mm 0.720 in
<b>Set Screw Distance S2</b>	5 mm 0.197 in
<b>Set Screw Size</b>	M6×0.75
<b>Number of Set Screws</b>	2
<b>Angle between Set Screws</b>	120 °

## Basic Load Ratings

<b>Static Load Rating</b>	6650 N 1495 lbf
<b>Dynamic Load Rating</b>	12800 N 2878 lbf



Weight	0.5 lb	0.2 kg
--------	--------	--------

**TIMKEN**®

**THE TIMKEN COMPANY**  
NORTH CANTON, OHIO USA

**UC203**

UC 200 Wide Inner Ring Ball Bearings - Set Screw Locking

Basic Load Ratings - $C_r$	2878 lbf	12800 N
Load Ratings - $C_{0r}$	1495 lbf	6650 N

Every reasonable effort has been made to ensure the accuracy of the information contained in this writing, but no liability is accepted for errors, omissions or for any other reason.

**FOR DISCUSSION ONLY**