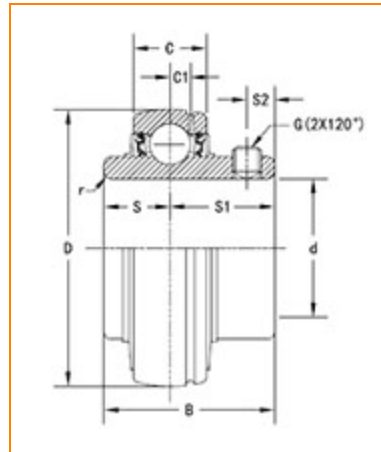


TIMKEN**The Timken Company**

4500 Mt Pleasant St. NW

N. Canton, OH 44720

Phone: (234) 262-3000**E-Mail:** CustomerCAD@timken.com • **Web site:** www.timken.com**Part Number UC212-39, UC 200 Wide Inner Ring Ball Bearings - Set Screw Locking**
[Specifications](#) | [Dimensions](#) | [Basic Load Ratings](#)
Specifications

Bore Type	Cylindrical bore
Bearing Type	Ball Bearing
Shaft Size d	2 7/16 in
Locking Device	Set Screw Locking

Dimensions

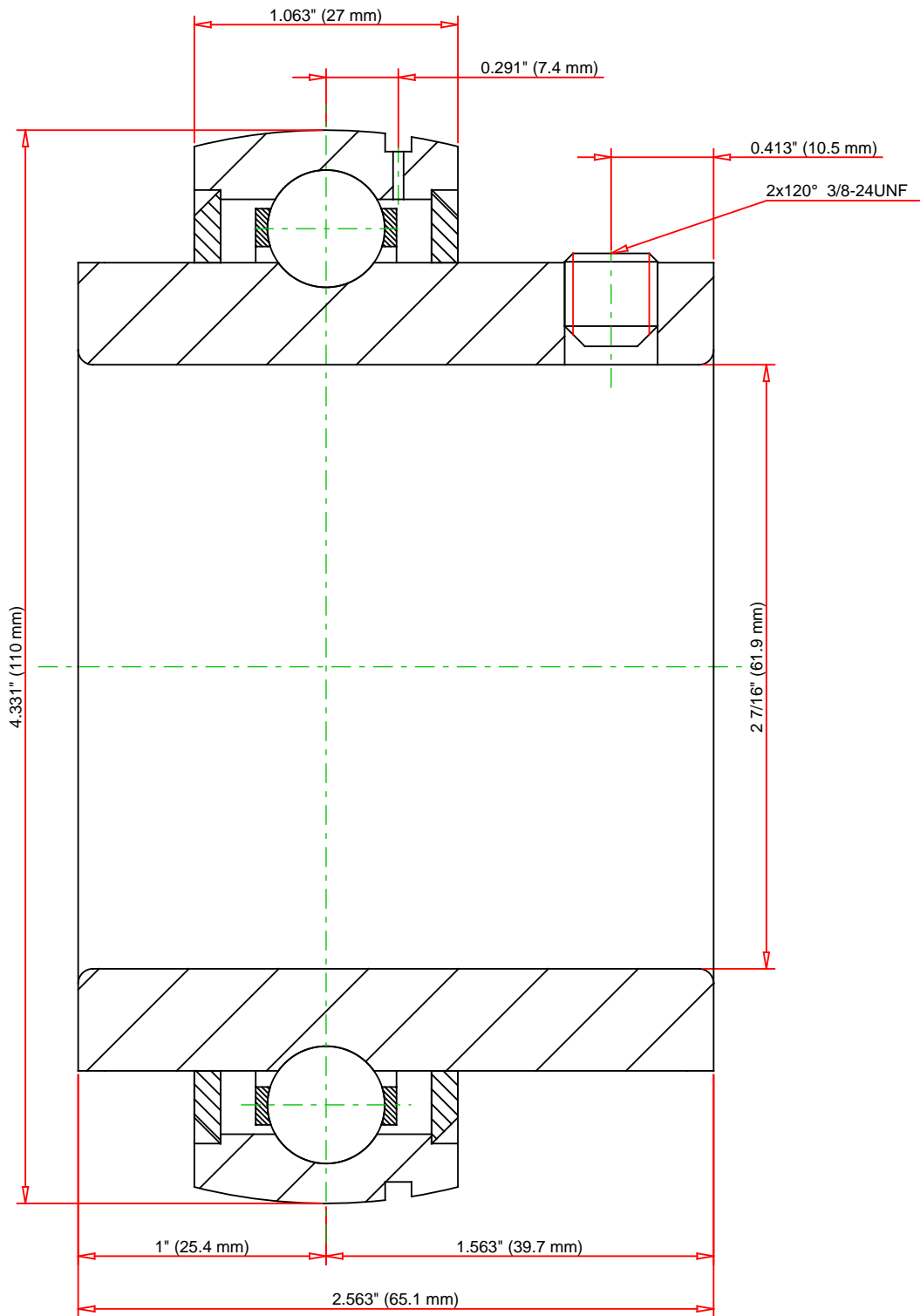
Outside Diameter D	110 mm 4.331 in
Outside Ring Width C	27 mm 1.063 in
Radius r	1.5 mm 0.059 in



Groove Position C1	7.4 mm 0.291 in
Center of Bearing from End S	25.4 mm 1 in
Dimension S1	39.7 mm 1.563 in
Set Screw Distance S2	10.5 mm 0.413 in
Set Screw Size	3/8-24UNF
Number of Set Screws	2
Angle between Set Screws	120 °

Basic Load Ratings

Static Load Rating	36200 N 8138 lbf
Dynamic Load Rating	52400 N 11780 lbf



Weight	3.4 lb	1.5 kg
--------	--------	--------

TIMKEN[®]

THE TIMKEN COMPANY
NORTH CANTON, OHIO USA

UC212-39

UC 200 Wide Inner Ring Ball Bearings - Set Screw Locking

Basic Load Ratings - C _r	11780 lbf	52400 N
Load Ratings - C _{0r}	8138 lbf	36200 N

Every reasonable effort has been made to ensure the accuracy of the information contained in this writing, but no liability is accepted for errors, omissions or for any other reason.

FOR DISCUSSION ONLY