



The Timken Company

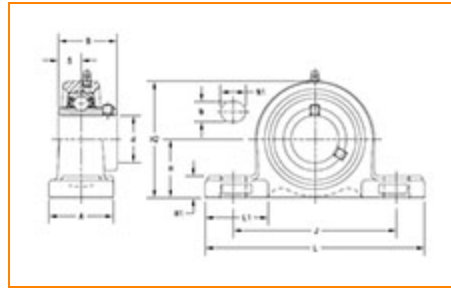
4500 Mt Pleasant St. NW

N. Canton, OH 44720

Phone: (234) 262-3000

E-Mail: CustomerCAD@timken.com • **Web site:** www.timken.com

Part Number UCP208-24, UCP 200 Pillow Block Mounted Bearings - Set Screw Locking



[Specifications](#) | [Dimensions](#) | [Basic Load Ratings](#)

Specifications

Bearing Number	UC208-24
Shaft Size d	1 1/2 in
UPC Code	087796072121
Locking Style	Set Screw Locking
Housing Construction	Two-Bolt Pillow Block

Dimensions

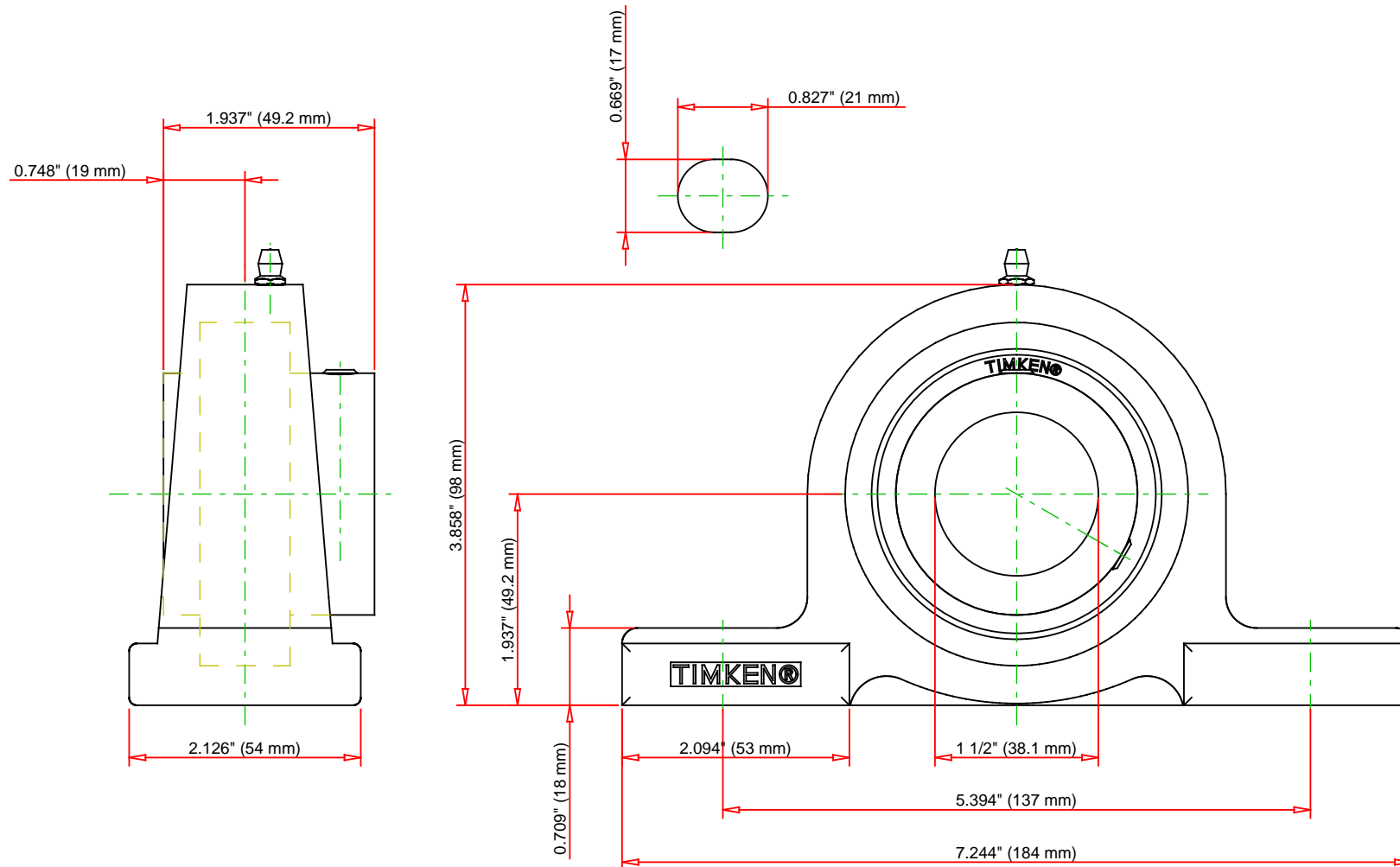
Base to Center Height H	49.2 mm 1.937 in
Total Length L	184 mm 7.244 in



Housing Width A	54 mm 2.126 in
Bolt Hole Spacing J	137 mm 5.394 in
Bolt Hole Size N	17 mm 0.669 in
Bolt Hole Length N1	21 mm 0.827 in
Foot Height H1	18 mm
Total Height H2	98 mm 3.858 in
Dimension L1	53 mm 2.094 in
Inner Ring Width B	49.2 mm 1.937 in
Center of Bearing from End S	19 mm 0.748 in

Basic Load Ratings

Static Load Rating	17800 N 4002 lbf
Dynamic Load Rating	29100 N 6542 lbf



Bearing Number	UC208-24			
Load Ratings - C _r	6542	lbf	29100	N
Load Ratings - C _{0r}	4002	lbf	17800	N
Weight	4.4	lb	2	kg
Bolt Size	M14			

TIMKEN

THE TIMKEN COMPANY
NORTH CANTON, OHIO USA

UCP208-24

UCP 200 Pillow Block Mounted Bearings -
Set Screw Locking

Every reasonable effort has been made to ensure the accuracy of the information contained in this writing, but no liability is accepted for errors, omissions or for any other reason.

FOR DISCUSSION ONLY