



The Timken Company

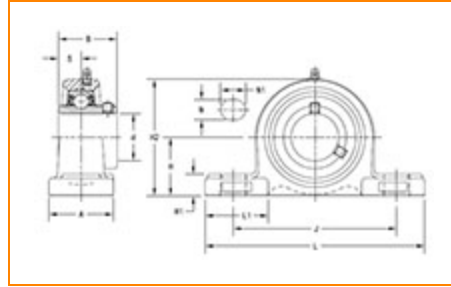
4500 Mt Pleasant St. NW

N. Canton, OH 44720

Phone: (234) 262-3000

E-Mail: CustomerCAD@timken.com • **Web site:** www.timken.com

Part Number UCP209, UCP 200 Pillow Block Mounted Bearings - Set Screw Locking



[Specifications](#) | [Dimensions](#) | [Basic Load Ratings](#)

Specifications

Bearing Number	UC209
Shaft Size d	45 mm
UPC Code	087796072190
Locking Style	Set Screw Locking
Housing Construction	Two-Bolt Pillow Block

Dimensions

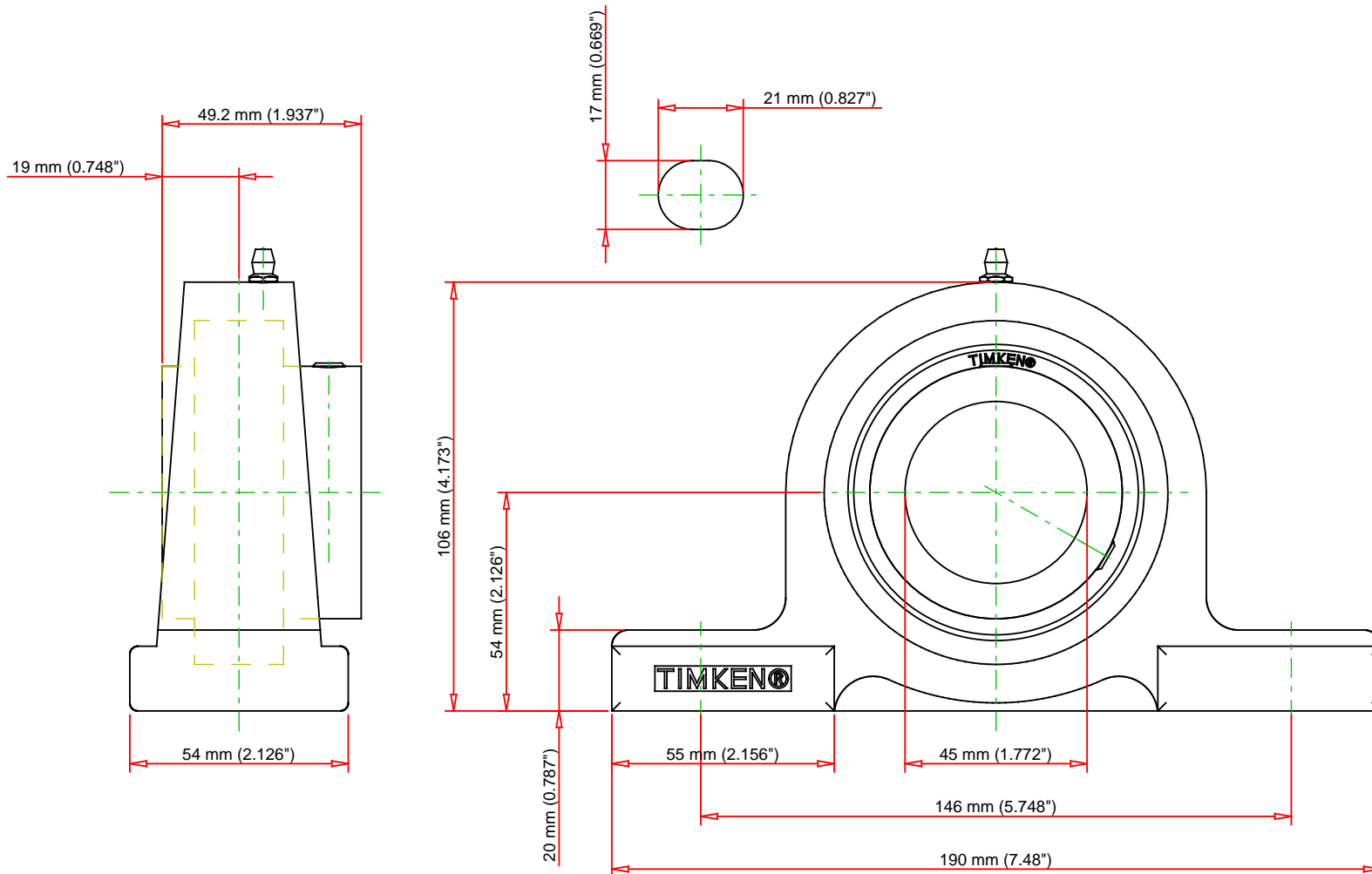
Base to Center Height H	54 mm 2.126 in
Total Length L	190 mm 7.48 in



Housing Width A	54 mm 2.126 in
Bolt Hole Spacing J	146 mm 5.748 in
Bolt Hole Size N	17 mm 0.669 in
Bolt Hole Length N1	21 mm 0.827 in
Foot Height H1	20 mm
Total Height H2	106 mm 4.173 in
Dimension L1	55 mm 2.156 in
Inner Ring Width B	49.2 mm 1.937 in
Center of Bearing from End S	19 mm 0.748 in

Basic Load Ratings

Static Load Rating	21300 N 4788 lbf
Dynamic Load Rating	34100 N 7666 lbf



Bearing Number	UC209		
Load Ratings - C_r	7666	lbf	34100
Load Ratings - C_{0r}	4788	lbf	21300
Weight	4.9	lb	2.2
Bolt Size	M14		

TIMKEN

THE TIMKEN COMPANY
NORTH CANTON, OHIO USA

UCP209

UCP 200 Pillow Block Mounted Bearings -
Set Screw Locking

Every reasonable effort has been made to ensure the accuracy of the information contained in this writing, but no liability is accepted for errors, omissions or for any other reason.

FOR DISCUSSION ONLY