



The Timken Company

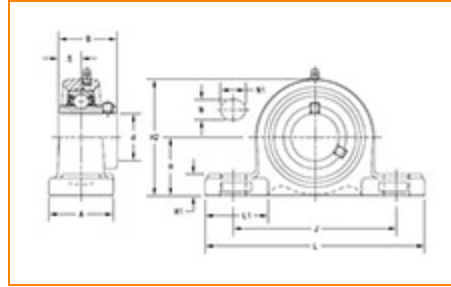
4500 Mt Pleasant St. NW

N. Canton, OH 44720

Phone: (234) 262-3000

E-Mail: CustomerCAD@timken.com • **Web site:** www.timken.com

Part Number UCP213-40, UCP 200 Pillow Block Mounted Bearings - Set Screw Locking



[Specifications](#) | [Dimensions](#) | [Basic Load Ratings](#)

Specifications

Bearing Number	UC213-40
Shaft Size d	2 1/2 in
UPC Code	087796073135
Locking Style	Set Screw Locking
Housing Construction	Two-Bolt Pillow Block

Dimensions

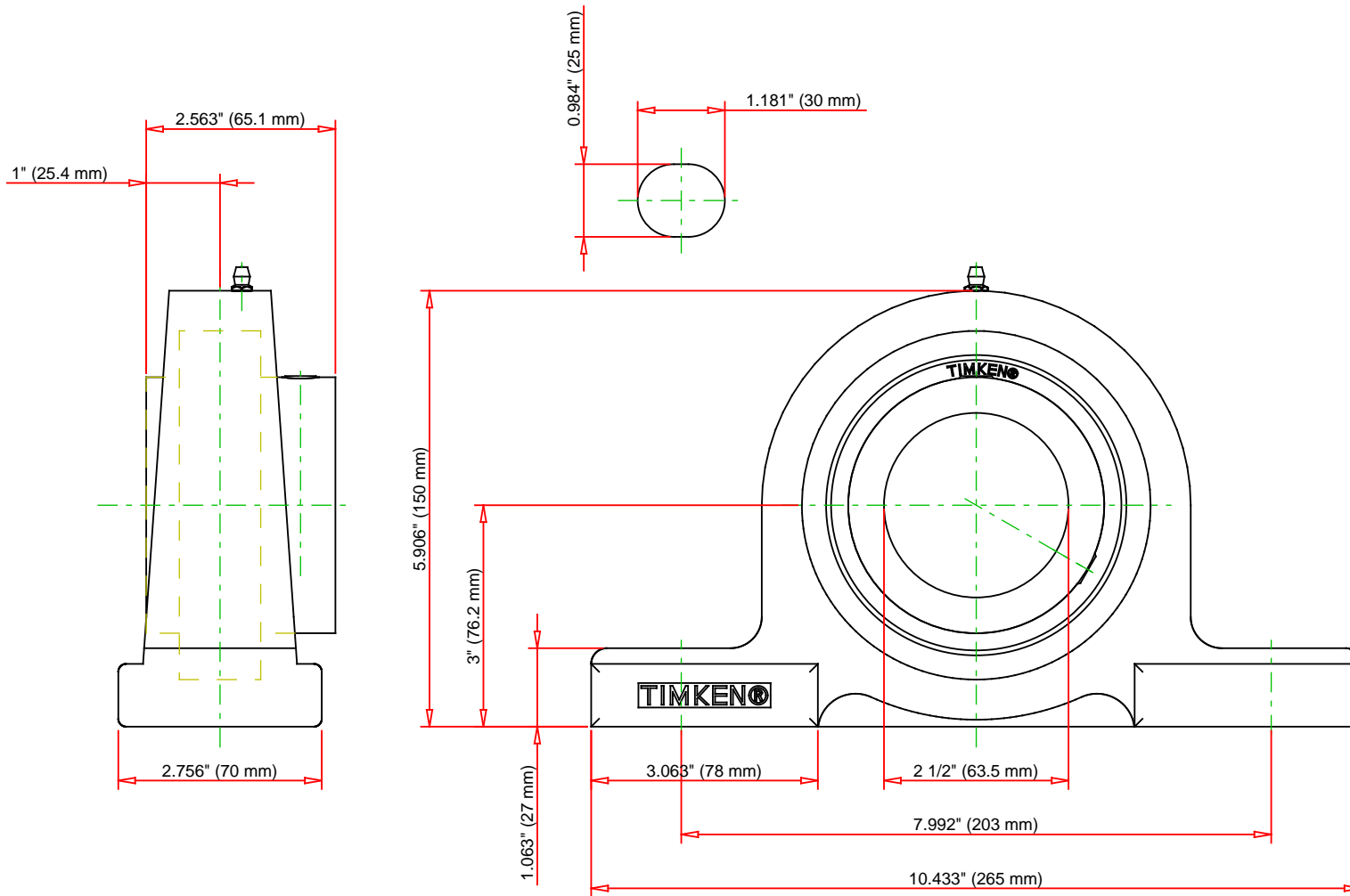
Base to Center Height H	76.2 mm 3 in
Total Length L	265 mm 10.433 in



Housing Width A	70 mm 2.756 in
Bolt Hole Spacing J	203 mm 7.992 in
Bolt Hole Size N	25 mm 0.984 in
Bolt Hole Length N1	30 mm 1.181 in
Foot Height H1	27 mm
Total Height H2	150 mm 5.906 in
Dimension L1	78 mm 3.063 in
Inner Ring Width B	65.1 mm 2.5630 in
Center of Bearing from End S	25.4 mm 1 in

Basic Load Ratings

Static Load Rating	40100 N 9015 lbf
Dynamic Load Rating	57200 N 12859 lbf



Bearing Number	UC213-40		
Load Ratings - C _r	12859	lbf	57200
Load Ratings - C _{0r}	9015	lbf	40100
Weight	13	lb	5.9
Bolt Size	M20		

TIMKEN

THE TIMKEN COMPANY
NORTH CANTON, OHIO USA

UCP213-40

UCP 200 Pillow Block Mounted Bearings -
Set Screw Locking

Every reasonable effort has been made to ensure the accuracy of the information contained in this writing, but no liability is accepted for errors, omissions or for any other reason.

FOR DISCUSSION ONLY