



The Timken Company

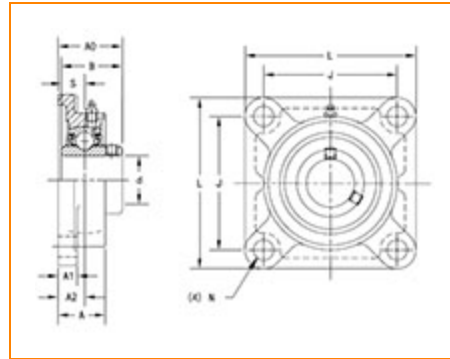
4500 Mt Pleasant St. NW

N. Canton, OH 44720

Phone: (234) 262-3000

E-Mail: CustomerCAD@timken.com • **Web site:** www.timken.com

Part Number UCF205-16, UCF 200 Four-Bolt Flanged Mounted Bearings - Set Screw Locking



[Specifications](#) | [Dimensions](#) | [Basic Load Ratings](#)

Specifications

Bearing Number	UC205-16
Shaft Size d	1 in
UPC Code	087796073562
Locking Style	Set Screw Locking
Housing Construction	Four-Bolt Square Flange

Dimensions

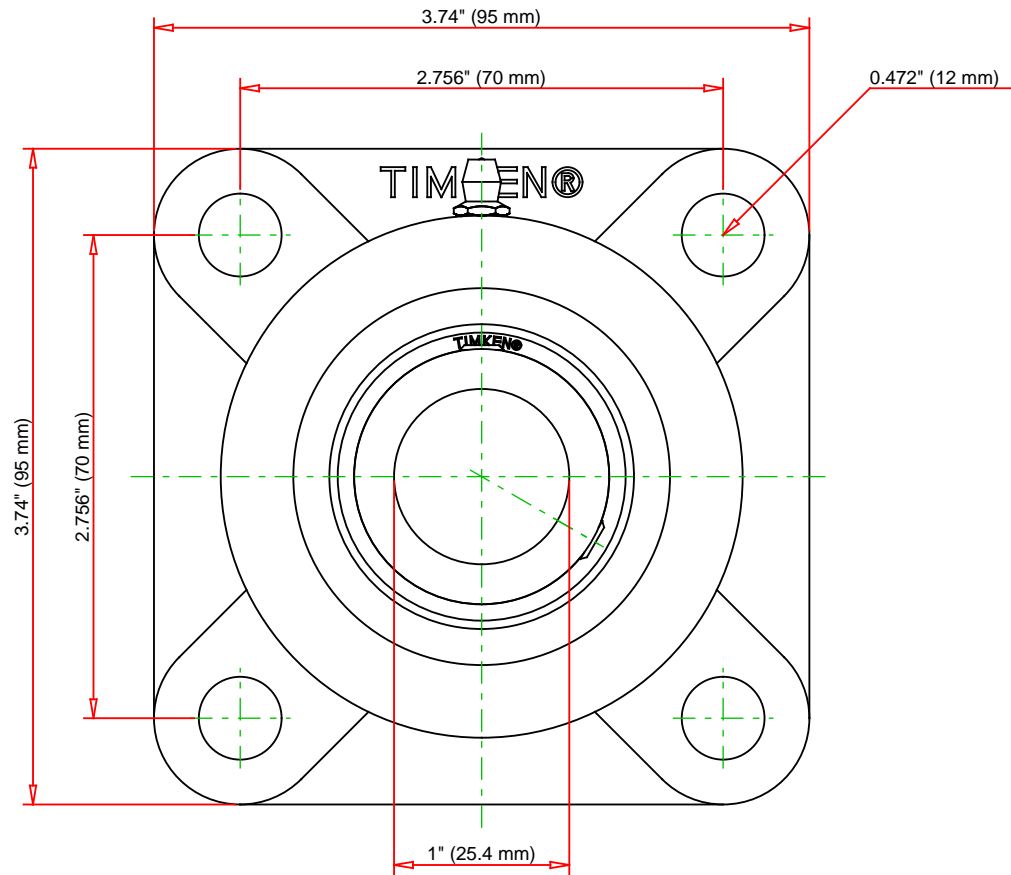
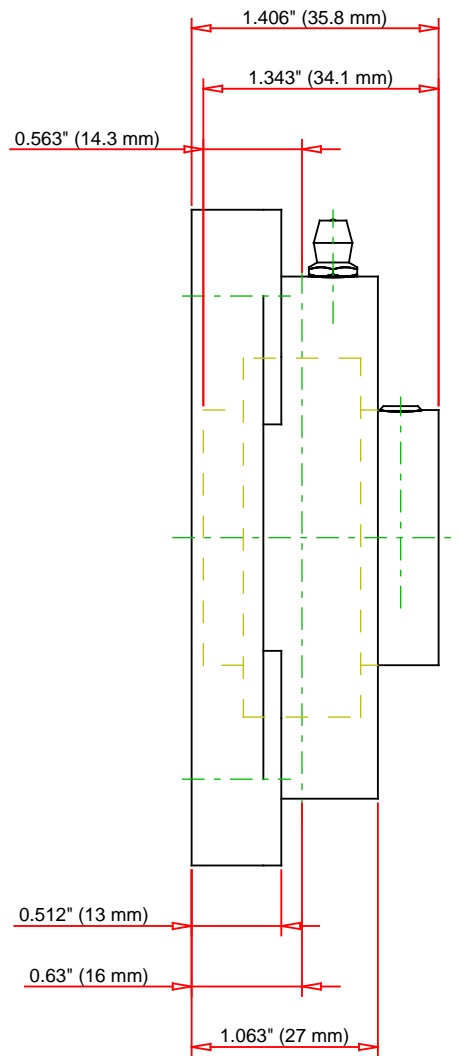
Total Length L	95 mm 3.74 in
Housing Width A	27 mm 1.063 in



Bolt Hole Spacing J	70 mm 2.756 in
Bolt Hole Size N	12 mm 0.472 in
Flange Thickness A1	13 mm 0.512 in
Center of Bearing from Housing End A2	16 mm 0.63 in
Inner Ring Width B	34.1 mm 1.343 in
Center of Bearing from Bearing End S	14.3 mm 0.563 in
Dimension A0	35.8 mm 1.406 in
Bolt Size	M10
Grease Nipple Size	A-1/4-28UNF

Basic Load Ratings

Static Load Rating	7850 N 1765 lbf
Dynamic Load Rating	14000 N 3147 lbf



Bearing Number	UC205-16			
Load Ratings - C _r	3147	lbf	14000	N
Load Ratings - C _{0r}	1765	lbf	7850	N
Weight	1.8	lb	0.8	kg
Bolt Size	M10			

TIMKEN

THE TIMKEN COMPANY
NORTH CANTON, OHIO USA

UCF205-16
UCF 200 Four-Bolt Flanged Mounted
Bearings - Set Screw Locking

Every reasonable effort has been made to ensure the accuracy of the information contained in this writing, but no liability is accepted for errors, omissions or for any other reason.

FOR DISCUSSION ONLY