



The Timken Company

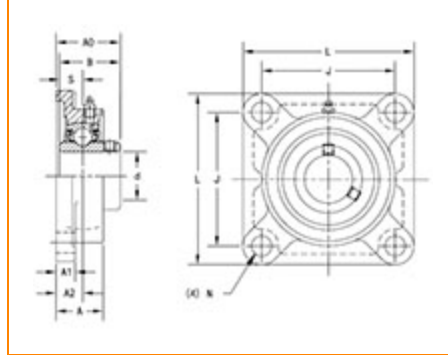
4500 Mt Pleasant St. NW

N. Canton, OH 44720

Phone: (234) 262-3000

E-Mail: CustomerCAD@timken.com • **Web site:** www.timken.com

Part Number UCF207-20, UCF 200 Four-Bolt Flanged Mounted Bearings - Set Screw Locking



[Specifications](#) | [Dimensions](#) | [Basic Load Ratings](#)

Specifications

Bearing Number	UC207-20
Shaft Size d	1 1/4 in
UPC Code	087796073616
Locking Style	Set Screw Locking
Housing Construction	Four-Bolt Square Flange

Dimensions

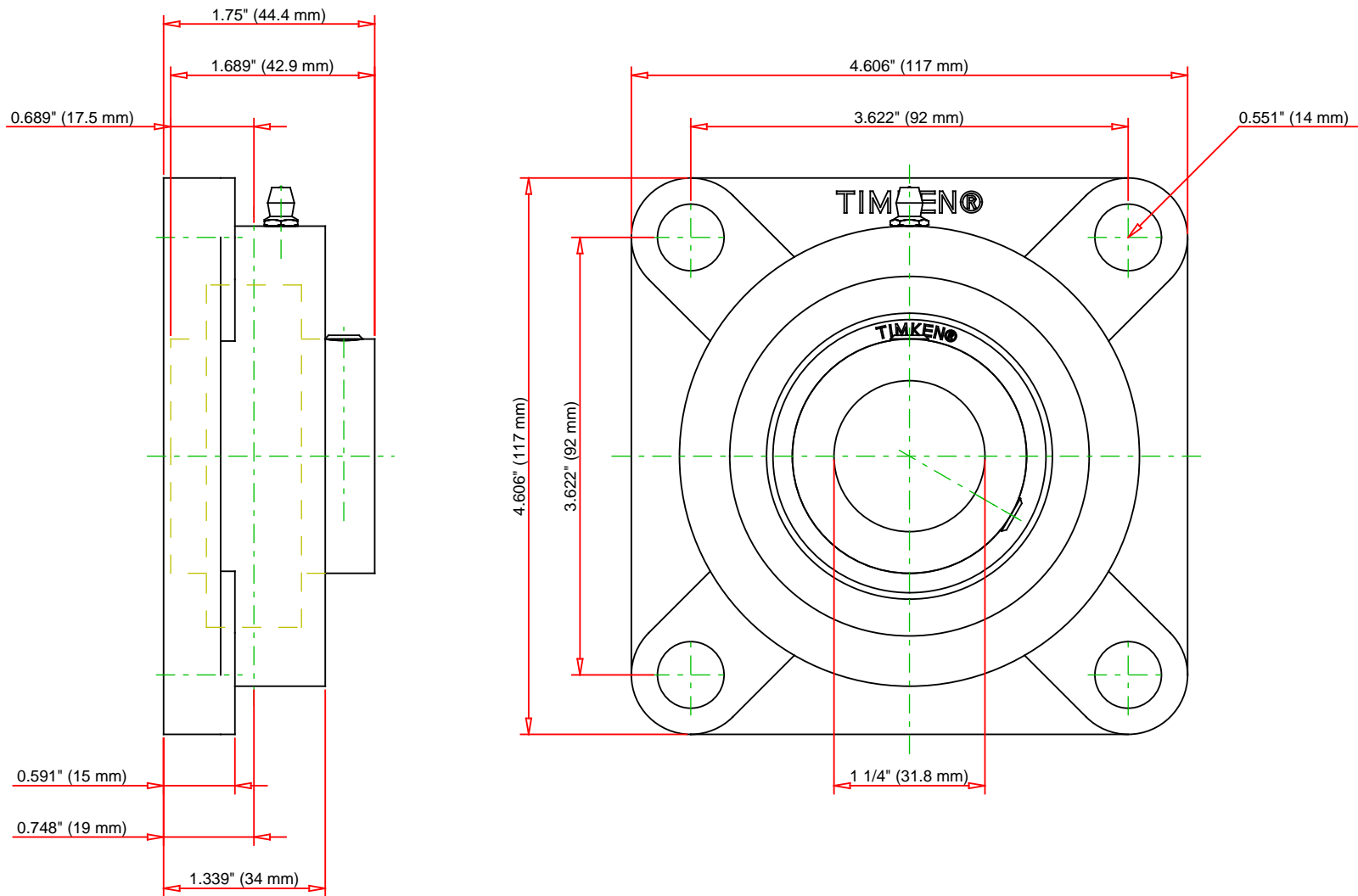
Total Length L	117 mm 4.606 in
Housing Width A	34 mm 1.339 in



Bolt Hole Spacing J	92 mm 3.622 in
Bolt Hole Size N	14 mm 0.551 in
Flange Thickness A1	15 mm 0.591 in
Center of Bearing from Housing End A2	19 mm 0.748 in
Inner Ring Width B	42.9 mm 1.689 in
Center of Bearing from Bearing End S	17.5 mm 0.689 in
Dimension A0	44.4 mm 1.75 in
Bolt Size	M12
Grease Nipple Size	A-1/4-28UNF

Basic Load Ratings

Static Load Rating	15400 N 3462 lbf
Dynamic Load Rating	25700 N 5778 lbf



Bearing Number	UC207-20			
Load Ratings - C _r	5778	lbf	25700	N
Load Ratings - C _{0r}	3462	lbf	15400	N
Weight	3.3	lb	1.5	kg
Bolt Size	M12			

TIMKEN

THE TIMKEN COMPANY
NORTH CANTON, OHIO USA

UCF207-20

UCF 200 Four-Bolt Flanged Mounted
Bearings - Set Screw Locking

Every reasonable effort has been made to ensure the accuracy of the information contained in this writing, but no liability is accepted for errors, omissions or for any other reason.

FOR DISCUSSION ONLY