



**The Timken Company**

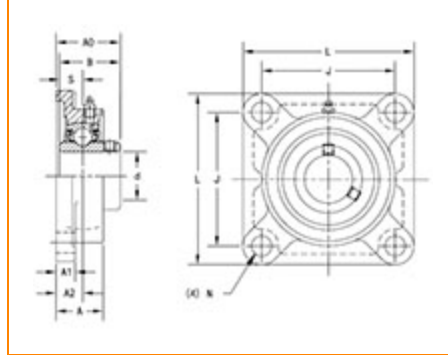
4500 Mt Pleasant St. NW

N. Canton, OH 44720

**Phone:** (234) 262-3000

**E-Mail:** [CustomerCAD@timken.com](mailto:CustomerCAD@timken.com) • **Web site:** [www.timken.com](http://www.timken.com)

## Part Number UCF208-24, UCF 200 Four-Bolt Flanged Mounted Bearings - Set Screw Locking



[Specifications](#) | [Dimensions](#) | [Basic Load Ratings](#)

### Specifications

<b>Bearing Number</b>	UC208-24
<b>Shaft Size d</b>	1 1/2 in
<b>UPC Code</b>	087796073685
<b>Locking Style</b>	Set Screw Locking
<b>Housing Construction</b>	Four-Bolt Square Flange

### Dimensions

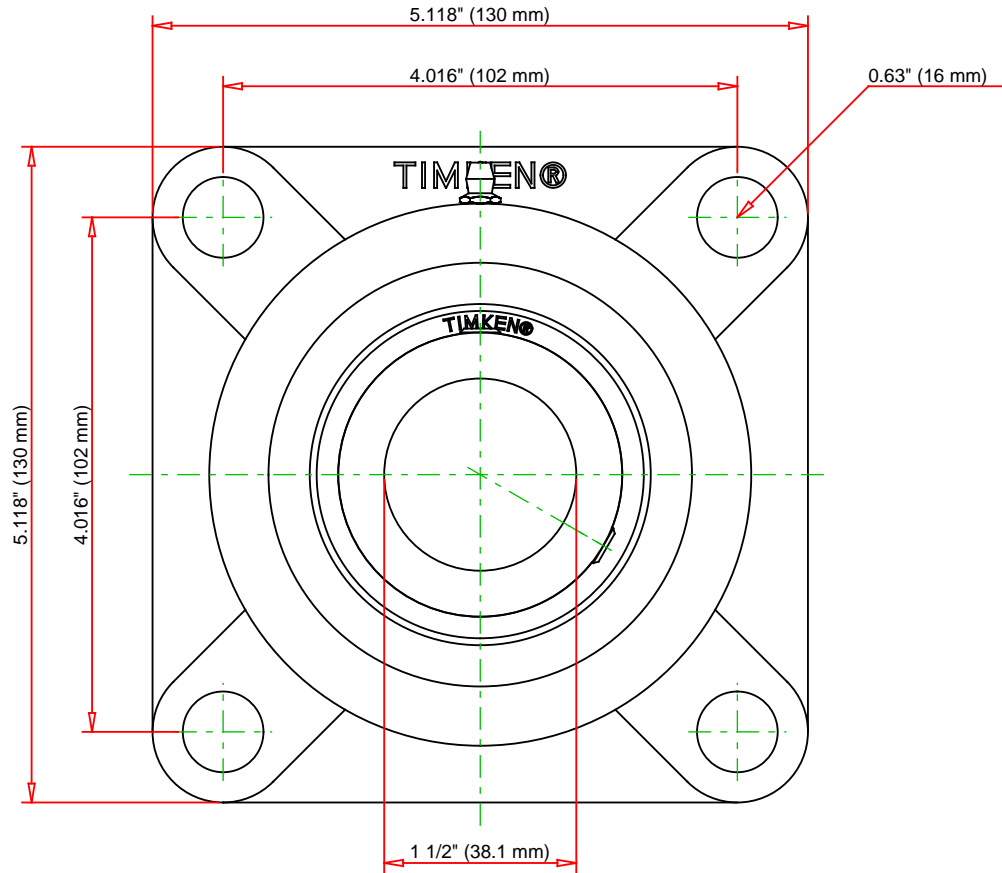
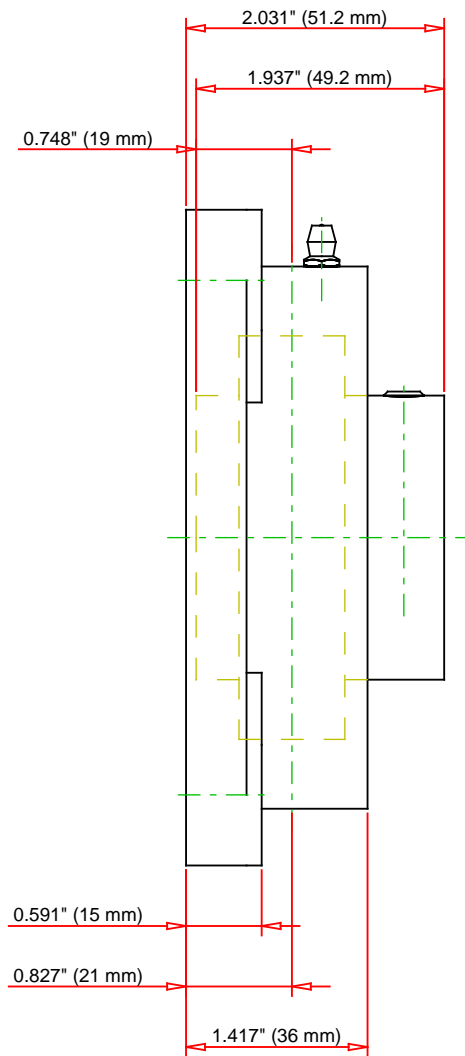
<b>Total Length L</b>	130 mm 5.118 in
<b>Housing Width A</b>	36 mm 1.417 in



<b>Bolt Hole Spacing J</b>	102 mm 4.016 in
<b>Bolt Hole Size N</b>	16 mm 0.63 in
<b>Flange Thickness A1</b>	15 mm 0.591 in
<b>Center of Bearing from Housing End A2</b>	21 mm 0.827 in
<b>Inner Ring Width B</b>	49.2 mm 1.937 in
<b>Center of Bearing from Bearing End S</b>	19 mm 0.748 in
<b>Dimension A0</b>	51.2 mm 2.031 in
<b>Bolt Size</b>	M14
<b>Grease Nipple Size</b>	A-1/4-28UNF

## Basic Load Ratings

<b>Static Load Rating</b>	17800 N 4002 lbf
<b>Dynamic Load Rating</b>	29100 N 6542 lbf



Bearing Number	UC208-24			
Load Ratings - C <sub>r</sub>	6542	lbf	29100	N
Load Ratings - C <sub>0r</sub>	4002	lbf	17800	N
Weight	4.2	lb	1.9	kg
Bolt Size	M14			

**TIMKEN**

THE TIMKEN COMPANY  
 NORTH CANTON, OHIO USA

**UCF208-24**  
 UCF 200 Four-Bolt Flanged Mounted  
 Bearings - Set Screw Locking

Every reasonable effort has been made to ensure the accuracy of the information contained in this writing, but no liability is accepted for errors, omissions or for any other reason.

**FOR DISCUSSION ONLY**