



The Timken Company

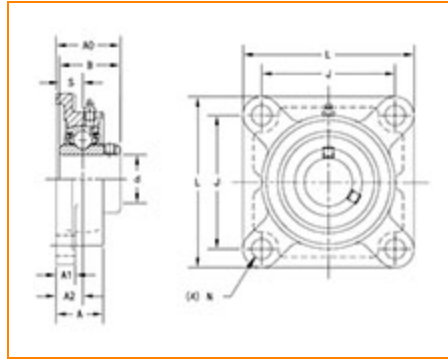
4500 Mt Pleasant St. NW

N. Canton, OH 44720

Phone: (234) 262-3000

E-Mail: CustomerCAD@timken.com • **Web site:** www.timken.com

Part Number UCF209, UCF 200 Four-Bolt Flanged Mounted Bearings - Set Screw Locking



[Specifications](#) | [Dimensions](#) | [Basic Load Ratings](#)

Specifications

Bearing Number	UC209
Shaft Size d	45 mm
UPC Code	087796073746
Locking Style	Set Screw Locking
Housing Construction	Four-Bolt Square Flange

Dimensions

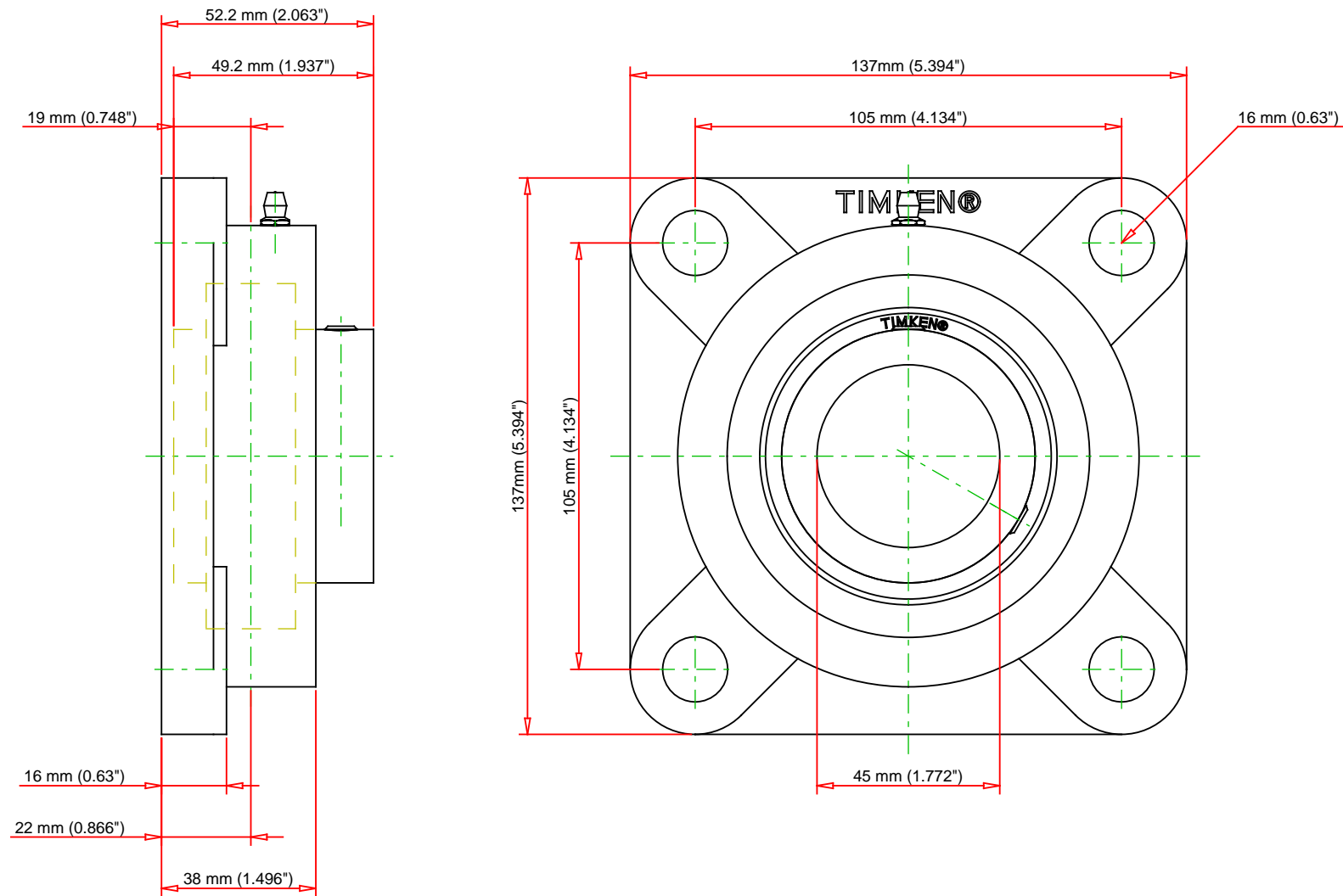
Total Length L	137 mm 5.394 in
-----------------------	--------------------



Housing Width A	38 mm 1.496 in
Bolt Hole Spacing J	105 mm 4.134 in
Bolt Hole Size N	16 mm 0.63 in
Flange Thickness A1	16 mm 0.63 in
Center of Bearing from Housing End A2	22 mm 0.866 in
Inner Ring Width B	49.2 mm 1.937 in
Center of Bearing from Bearing End S	19 mm 0.748 in
Dimension A0	52.2 mm 2.063 in
Bolt Size	M14
Grease Nipple Size	A-1/4-28UNF

Basic Load Ratings

Static Load Rating	21300 N 4788 lbf
Dynamic Load Rating	34100 N 7666 lbf



Bearing Number	UC209		
Load Ratings - C _r	7666	lbf	34100
Load Ratings - C _{0r}	4788	lbf	21300
Weight	4.9	lb	2.2
Bolt Size	M14		

TIMKEN

THE TIMKEN COMPANY
NORTH CANTON, OHIO USA

UCF209

UCF 200 Four-Bolt Flanged Mounted
Bearings - Set Screw Locking

Every reasonable effort has been made to ensure the accuracy of the information contained in this writing, but no liability is accepted for errors, omissions or for any other reason.

FOR DISCUSSION ONLY