



The Timken Company

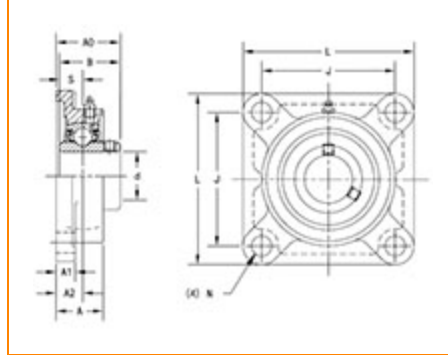
4500 Mt Pleasant St. NW

N. Canton, OH 44720

Phone: (234) 262-3000

E-Mail: CustomerCAD@timken.com • **Web site:** www.timken.com

Part Number UCF210-31, UCF 200 Four-Bolt Flanged Mounted Bearings - Set Screw Locking



[Specifications](#) | [Dimensions](#) | [Basic Load Ratings](#)

Specifications

Bearing Number	UC210-31
Shaft Size d	1 15/16 in
UPC Code	087796073784
Locking Style	Set Screw Locking
Housing Construction	Four-Bolt Square Flange

Dimensions

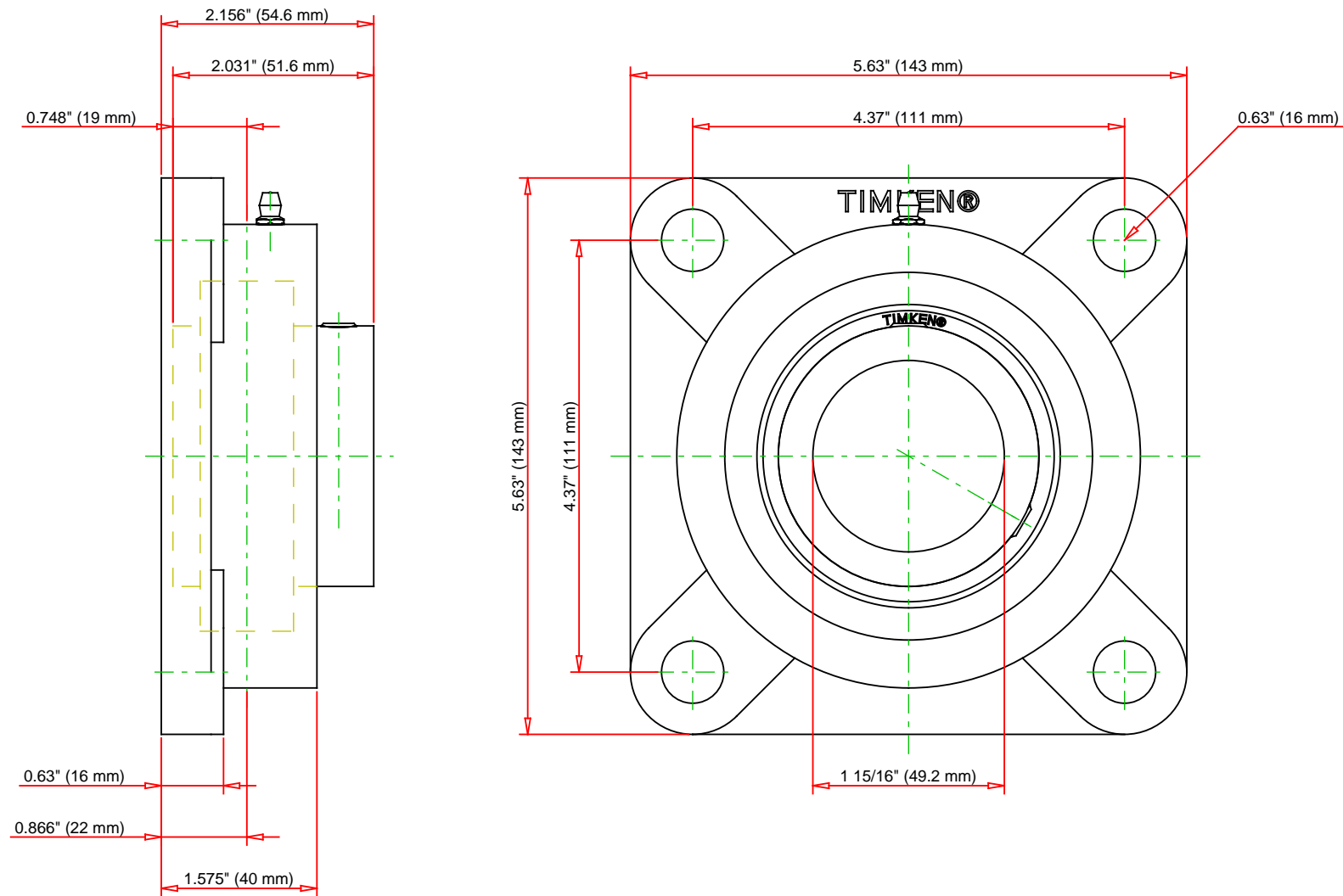
Total Length L	143 mm 5.63 in
Housing Width A	40 mm 1.575 in



Bolt Hole Spacing J	111 mm 4.37 in
Bolt Hole Size N	16 mm 0.63 in
Flange Thickness A1	16 mm 0.63 in
Center of Bearing from Housing End A2	22 mm 0.866 in
Inner Ring Width B	51.6 mm 2.031 in
Center of Bearing from Bearing End S	19 mm 0.748 in
Dimension A0	54.6 mm 2.156 in
Bolt Size	M14
Grease Nipple Size	A-1/4-28UNF

Basic Load Ratings

Static Load Rating	23300 N 5238 lbf
Dynamic Load Rating	35100 N 7891 lbf



Bearing Number	UC210-31			
Load Ratings - C_r	7891	lbf	35100	N
Load Ratings - C_{0r}	5238	lbf	23300	N
Weight	5.5	lb	2.5	kg
Bolt Size	M14			

TIMKEN

THE TIMKEN COMPANY
NORTH CANTON, OHIO USA

UCF210-31

UCF 200 Four-Bolt Flanged Mounted
Bearings - Set Screw Locking

Every reasonable effort has been made to ensure the accuracy of the information contained in this writing, but no liability is accepted for errors, omissions or for any other reason.

FOR DISCUSSION ONLY